



samlexpower®

**Switch Mode,
Automatic,
Lead Acid
Battery Charger**

SEC-1215UL
SEC-1230UL
SEC-2415UL

Owner's
Manual

Please read this
manual BEFORE
operating your
battery charger

OWNER'S MANUAL | Index

SECTION 1

Safety Instructions	3
---------------------------	---

SECTION 2

Layout	5
--------------	---

SECTION 3

Description, Features & Cooling	8
---------------------------------------	---

SECTION 4

Charging Stages & Protections	9
-------------------------------------	---

SECTION 5

Installation & Charger Operation	11
--	----

SECTION 6

Troubleshooting	17
-----------------------	----

SECTION 7

Specifications	19
----------------------	----

SECTION 8

Warranty	22
----------------	----

Disclaimer of Liability

UNLESS SPECIFICALLY AGREED TO IN WRITING, SAMLEX AMERICA INC.:

1. MAKES NO WARRANTY AS TO THE ACCURACY, SUFFICIENCY OR SUITABILITY OF ANY TECHNICAL OR OTHER INFORMATION PROVIDED IN ITS MANUALS OR OTHER DOCUMENTATION.
2. ASSUMES NO RESPONSIBILITY OR LIABILITY FOR LOSSES, DAMAGES, COSTS OR EXPENSES, WHETHER SPECIAL, DIRECT, INDIRECT, CONSEQUENTIAL OR INCIDENTAL, WHICH MIGHT ARISE OUT OF THE USE OF SUCH INFORMATION. THE USE OF ANY SUCH INFORMATION WILL BE ENTIRELY AT THE USERS RISK.

Samlex America reserves the right to revise this document and to periodically make changes to the content hereof without obligation or organization of such revisions or changes.

Copyright Notice/Notice of Copyright

Copyright © 2019 by Samlex America Inc. All rights reserved. Permission to copy, distribute and/or modify this document is prohibited without express written permission by Samlex America Inc.

SECTION 1 | Safety Instructions

1.1 SYMBOLS

SAVE THESE INSTRUCTIONS. This manual contains important instructions for models SEC-1215UL, SEC-1230UL and SEC-2415UL.

The following safety symbols will be used in this manual to highlight safety and information:



WARNING!

Indicates possibility of physical harm to the user in case of non-compliance.



CAUTION!

Indicates possibility of damage to the equipment in case of non-compliance.



INFO

Indicates useful supplemental information.

Please read these instructions before installing or operating the unit to prevent personal injury or damage to the unit.

1.2 SAFETY INSTRUCTIONS - GENERAL

1.2.1 Installation and wiring compliance

- Installation and wiring must comply with the Local and National Electrical Codes and must be done by a certified electrician.
- Wrong installation on a boat may lead to corrosion of the boat. It is recommended that the installation on a boat may be carried by a boat electrician.
- If an extension cord is used to feed 120 VAC power, please ensure that it has 3-pin grounding, NEMA5-15 plug / receptacle and wire size is the same as the wire size of the power cord (see wire sizes in the specifications at Section 7).

1.2.2 Preventing electrical shock

- The metal chassis of the charger is connected to the Ground pin of the power cord plug. For proper grounding of the metal chassis, ensure that Ground pin of the AC outlet powering the charger is firmly connected to the System / Earth Ground.
- Disassembly / repair should be carried out by qualified personnel only.
- Disconnect all AC and DC side connections before working on any circuits associated with the unit. Turning off AC input to the unit may not entirely remove dangerous voltages.
- Be careful when touching bare terminals of capacitors. Capacitors may retain high lethal voltages even after the power has been removed. Discharge the capacitors before working on the circuits.
- Do not operate the charger if the AC power cord is damaged.

SECTION 1 | Safety Instructions

1.2.3 Installation environment

- The charger should be installed indoor only in a well ventilated, cool, dry environment.
- Do not expose to moisture, rain, snow or liquids of any type. When installed in a boat, ensure that it is not subject to water spray / bilge water splash.
- Do not mount the charger directly above or below the battery being charged because gases / electrolyte from the battery will corrode / damage the charger. Do not install in the same compartment as batteries.
- To reduce the risk of overheating and fire, do not obstruct the suction and discharge openings of the cooling fan.
- To ensure proper ventilation, do not install in a low clearance compartment that has restricted cool air change. There should be at 6" clearance all around the unit.

1.2.4 Preventing fire and explosion hazards

- Working with the unit may produce arcs or sparks. Thus, the unit should not be used in areas where there are flammable materials or gases requiring ignition protected equipment. These areas may include spaces containing gasoline-powered machinery, fuel tanks, and battery compartments.

1.2.5 Precautions when working with batteries

- Charge Lead Acid Batteries only
- Never charge a frozen battery – it may explode!
- Batteries contain very corrosive diluted Sulphuric Acid as electrolyte. Precautions should be taken to prevent contact with skin, eyes or clothing.
- Batteries generate Hydrogen and Oxygen during charging resulting in evolution of explosive gas mixture. Care should be taken to ventilate the battery area and follow the battery manufacturer's recommendations.
- Never smoke or allow a spark or flame near the batteries.
- Use caution to reduce the risk of dropping a metal tool on the battery. It could spark or short circuit the battery or other electrical parts and could cause an explosion.
- Remove metal items like rings, bracelets and watches when working with batteries. The batteries can produce a short circuit current high enough to weld a ring or the like to metal and, thus, cause a severe burn.
- If you need to remove a battery, always remove the ground terminal from the battery first. Make sure that all the accessories are off so that you do not cause a spark.
- Disconnect the AC input power to the charger before connecting / disconnecting the batteries or other DC loads or when working on the charger
- Disconnect the AC input power before changing setting of the DIP Switch

SECTION 2 | Layout

2.1 SEC-1215UL

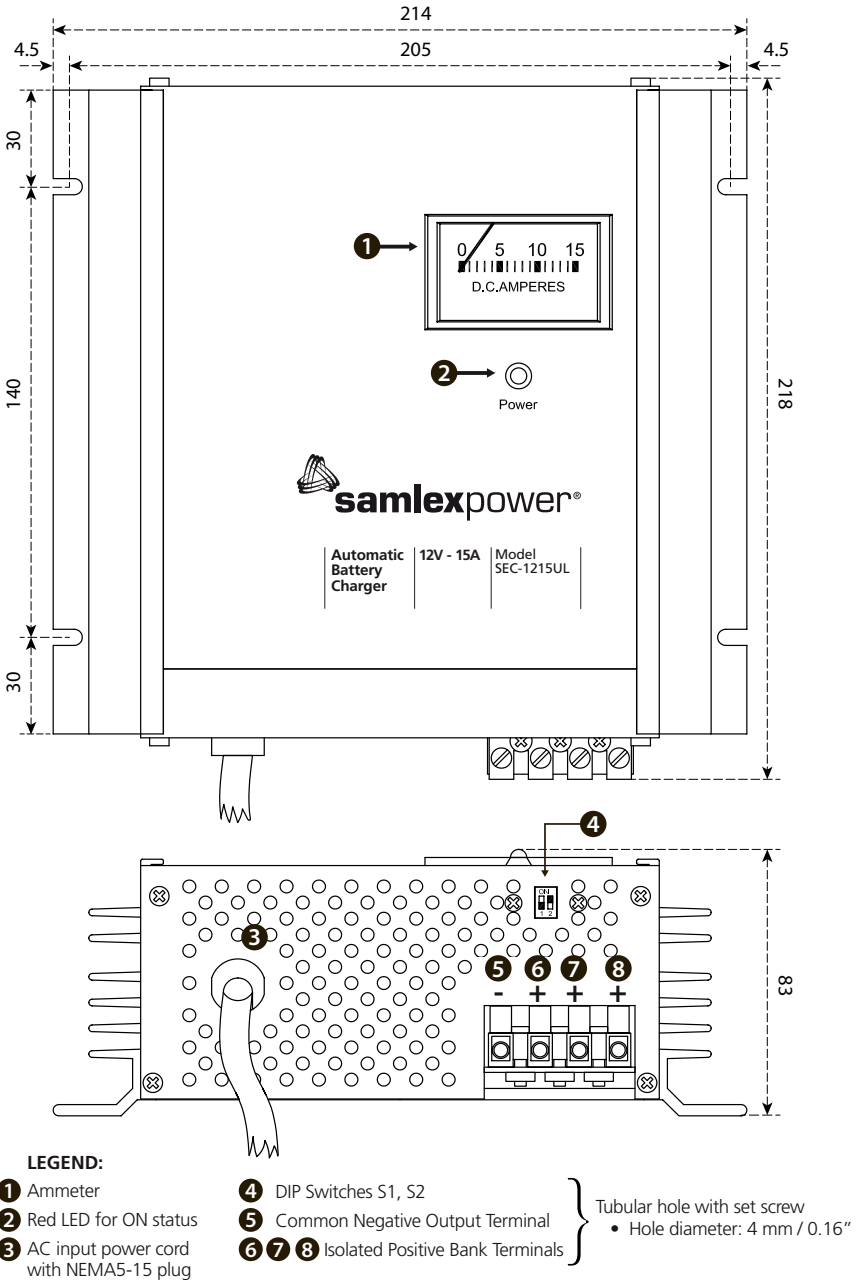
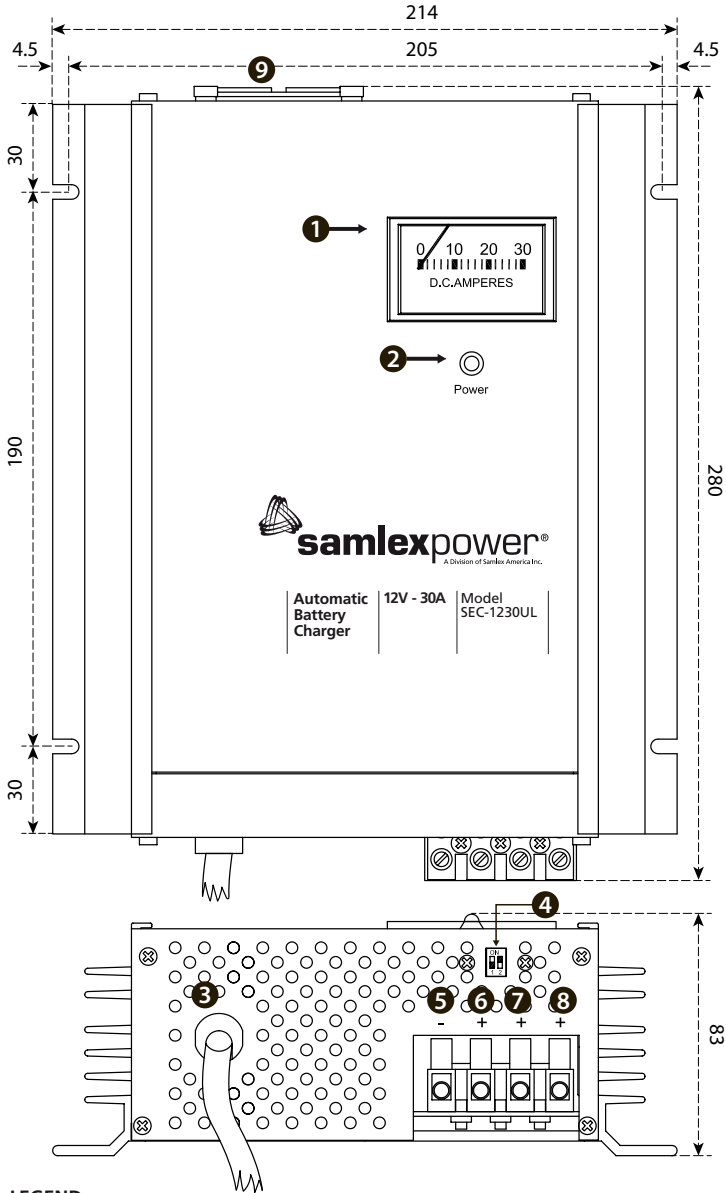


Fig 2.1 Layout - SEC-1215UL

SECTION 2 | Layout

2.2 SEC-1230UL

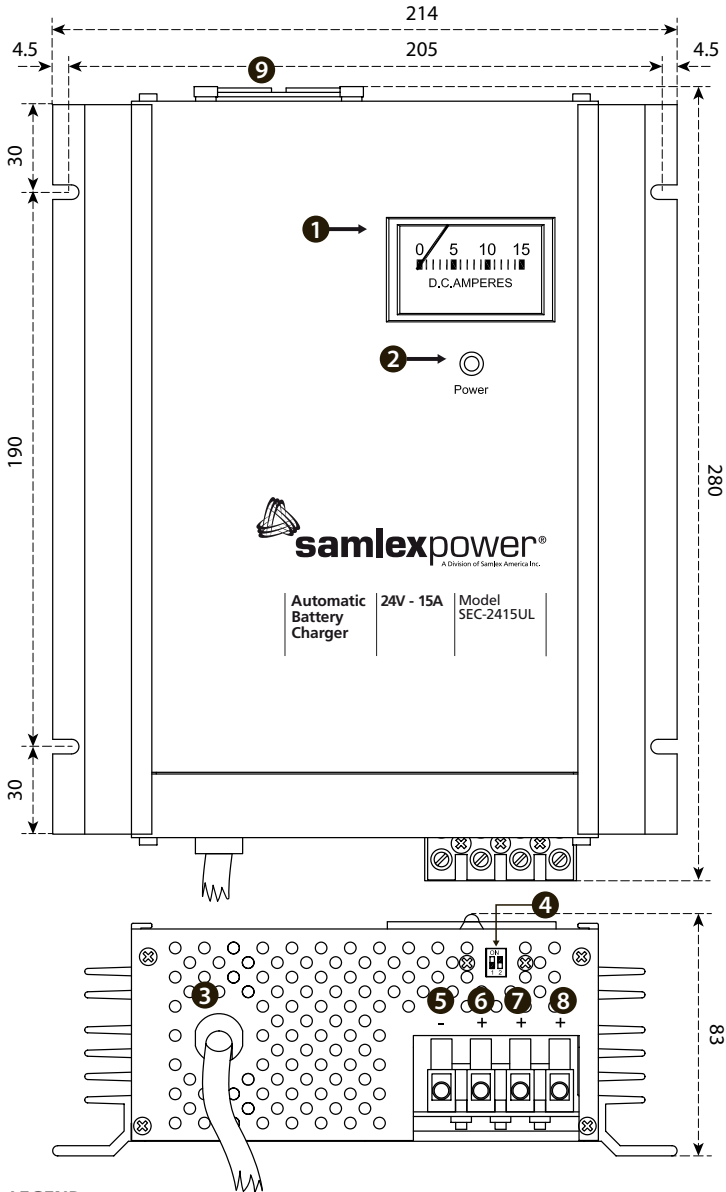


LEGEND:

- 1 Ammeter
 - 2 Red LED for ON status
 - 3 AC input power cord with NEMA5-15 plug
 - 4 DIP Switches S1, S2
 - 5 Common Negative Output Terminal
 - 6 7 8 Isolated Positive Bank Terminals
 - 9 Cooling Fan
- } Tubular hole with set screw
• Hole diameter: 4.8 mm / 0.19"

SECTION 2 | Layout

2.3 SEC-2415UL



LEGEND:

- 1 Ammeter
 - 2 Red LED for ON status
 - 3 AC input power cord with NEMA5-15 plug
 - 4 DIP Switches S1, S2
 - 5 Common Negative Output Terminal
 - 6 7 8 Isolated Positive Bank Terminals
 - 9 Cooling Fan
- } Tubular hole with set screw
• Hole diameter: 4.8 mm / 0.19"

SECTION 3 | Description, Features & Cooling

3.1 DESCRIPTION

These chargers are used to charge Lead Acid Batteries (Flooded, AGM or Gel Cell). SEC-1215UL (Maximum charging current 15A) and SEC-1230UL (Maximum charging current 30A) are used to charge 12 V batteries. SEC-2415UL (Maximum charging current 15A) is used to charge 24 V batteries. These chargers can be powered from AC power source of either 120 V, 60 Hz (Pre-set) or 230 V, 50 Hz (By changing jumper position inside the unit - See Section 5.2.1 for instructions).

3.2 FEATURES

- State of the art switched mode technology is used for very high efficiency, lightweight and quiet operation.
- User selectable AC input voltage - 120 V , 60 Hz (Pre-set) or 230 V , 50 Hz [By changing jumper position inside the unit (See Section 5.2.1 for instructions)].
- User selectable 2 or 3 stage charging algorithm ensures rapid and safe charging of all types of lead acid batteries - Flooded, AGM, Gel Cell or batteries with external load. (Through externally accessible DIP Switches - see Section 5, Tables 5.1 and 5.2 for instructions)
- Fully automatic "Connect and Forget" operation
- 3 banks of batteries can be charged simultaneously without use of an external battery isolator
- Monitoring through ON status LED and Ammeter
- Temperature controlled cooling fan (SEC-1230UL, SEC-2415UL)
- Protections against short circuit, over current, reverse battery connection and over temperature (over temperature for SEC-1230UL and SEC-2415UL)
- Can be used as a power supply or as a DC UPS (Uninterruptible DC Power Supply) when used with a battery (DIP Switch set at "Battery with load" - See Section 5, Tables 5.1 and 5.2 for instructions)

3.3 COOLING

SEC-1215UL is cooled by convection and does not have any thermal overload shut down.

SEC-1230UL and SEC-2415UL are cooled by convection and in addition, have a temperature controlled fan for forced air cooling. Two temperature sensors mounted on the power transformer control the switching of the fan and over temperature shut down. The fan will be switched on by the first temperature sensor when the power transformer reaches 60°C / 140°F.

Hence, at lower loads, the fan may not cut in and will be off. This is normal.

In case the fan fails or if the cooling is not adequate, the second temperature sensor will shut down the unit if the power transformer reaches 105°C / 221°F. The red LED will switch OFF. The unit will automatically recover on removal of thermal overload condition.

SECTION 4 | Charging States & Protections

4.1 CHARGING STAGES



INFO

a) VOLTAGE READINGS ON NO LOAD

The output has one common Negative terminal and three Positive terminals for charging 3 banks of batteries. Each Positive terminal has an internal isolating diode in series which has a forward voltage drop of 0.8 to 1.1 V. On no load (that is when no battery or other DC load is connected to any of the 3 terminals), the voltage reading will read 0.8 to 1.1 V higher than the specified float voltage. Note that the specified float voltage is at a load of 1 A. Also, the voltage on the terminals not connected to the load (for example, when one bank of battery is connected to one Positive terminal, the other 2 Positive terminals will remain disconnected) will read 0.8 to 1.1 Volt higher than the voltage of the loaded terminal.

b) VOLTAGE SPECIFICATIONS

All rated voltages are specified at battery temperature of 80°F.

These chargers can be manually selected to operate in 3 stage or 2 stage modes (Please see "Selecting the Type of Battery and Charging Stages" at Section 5.2.2). The charging stages are described below:

4.1.1 Stage 1 - Constant Current or Bulk Charge Stage

When the battery is low, it will try to draw larger charging current. The charger senses the current draw and limits this to the maximum permissible value (15A for SEC-1215UL / SEC-2415UL and 30A for SEC-1230UL). Bulk charging takes place at this constant current. **In this condition of constant current, the voltage measured at the charger or battery terminals will be the battery's own intrinsic voltage proportional to its state of charge.**

The constant current injected into the battery starts restoring the battery capacity and its voltage starts rising. When this voltage approaches the threshold of battery "gassing", termed "Boost or Absorption Voltage", the charger automatically switches over to Stage 2 - "Boost or Absorption Stage". The value of this voltage depends upon the type of battery being charged (See DIP Switch Settings in Section 5, Tables 5.1 and 5.2). By this time, approximately 80% of the battery capacity will normally have been restored (**Note:** The percentage capacity restored till the point the battery reaches the Boost or Absorption Voltage is inversely proportional to the value of the bulk charge current).

4.1.2 Stage 2 - Constant Voltage Boost or Absorption Stage

As explained at Section 4.1.1, when the battery voltage approaches the point where battery "gassing" can begin, the charger automatically switches over to the "Boost or Absorption Stage". The charger applies a constant voltage whose value depends upon the type of battery selected (See DIP Switch Settings in Section 5, Table 5.1 and 5.2). This controlled overcharge restores the balance 20% of the capacity in a minimum amount of time. As the capacity is fully restored, the charging current starts reducing. When the current reduces below the preset threshold (1.5 to 2A for SEC-1215UL / 2415UL and 2.5 to 3A for SEC-1230UL), the charger automatically switches to the "Float or Maintenance Stage".

SECTION 4 | Charging States & Protections

4.1.3 Stage 3 - Constant Voltage , Float or Maintenance Charging Stage

As explained at Section 4.1.2, as the charging current drops below the preset threshold (1.5 to 2 amps for SEC-1215UL / SEC-2415UL and 2.5 A to 3 A for SEC-1230UL), it signals that the battery is 100% charged.

In this "Float or Maintenance Charging Stage", the charger outputs a constant voltage of 13.5 V for 12 V system and 27 V for 24 V system. This helps in maintaining 100% capacity of the battery and also compensates for self discharge. The battery can remain connected in this stage indefinitely without the risk of overcharging or excessive loss of electrolyte. In Float Stage, the battery will consume around 0.1% of its Ah capacity to compensate for self discharge.



CAUTION!

3 stage charging is recommended for charging stand-alone, unloaded batteries (there is no load connected to the battery when it is being charged).

If a load is also connected simultaneously, a part of the charger's output current will be diverted to this load. Thus, the charger may remain locked in the "Boost or Absorption Mode" if the current drawn by the load is more than the preset value of threshold current determining change over between the Boost and Float Stages (1.5 to 2A for SEC-1215UL / 2415UL and 2.5 to 3A for SEC-1230UL). **This will lead to overcharging and loss of electrolyte.**

For charging a battery when a load is also connected simultaneously, the "Boost or Absorption Stage" is required to be disabled. Select "Battery with Load" using the DIP switch. See details under "Powering other DC Loads" at Section 5.4.1.

4.2 PROTECTIONS

4.2.1 Short Circuit Shut Down

In case of a short circuit on the output side, the charger will shut down. The Red LED (2 in Figs 2.1 to 2.3) will switch off. The charger will automatically recover once the short circuit condition is removed.

4.2.2 Over load Current Limiting

The current drawn by the battery / load is automatically limited to a maximum of 15 A for SEC-1215UL / SEC-2415UL and 30A for SEC-1230UL. If the battery / load tries to draw a higher current than these limits, the output voltage of the unit will start to drop.

If a battery is connected, the output voltage will be clamped to the actual battery voltage proportional to its state of charge. The unit will automatically recover when the overload condition is removed.

4.2.3 Reverse Battery Connection Cut Off

The output is internally fused on the DC side (20A for SEC-1215UL / SEC-2415UL and 40A for SEC-1230UL). In case, the polarity of the battery connection is reversed, the fuse(s) will blow . The Red LED (2 in Figs 2.1 to 2.3) will switch off. The fuse(s) will be required to be replaced for the unit to function again.

SECTION 4 | Charging States & Protections

4.2.4 Thermal Overload Shutdown

SEC-1215UL is cooled by convection and does not have any thermal overload shut down.

SEC-1230UL and SEC-2415UL are cooled by convection and in addition, have a temperature controlled fan (9 in Figs 2.2 and 2.3) for forced air cooling. Two temperature sensors mounted on the power transformer control the switching of the fan and over temperature shut down. The fan will be switched on by the first temperature sensor when the power transformer reaches 60°C / 140°F. Hence, at lower loads, the fan may not cut in and will be off. This is normal.

In case the fan fails or if the cooling is not adequate, the second temperature sensor will shut down the unit if the power transformer reaches 105°C / 221°C. The Red LED will switch off. The unit will automatically recover on removal of thermal overload condition.



CAUTION!

Keep the charger in a well ventilated, cool and open area. Do not block the vent holes on the sides or the discharge openings of the cooling fan.

SECTION 5 | Installation & Charger Operation

5.1 INSTALLATION

5.1.1 Location, Mounting & Safety

The charger is required to be installed in a safe, well ventilated and dry location. Please see the details given under Section 1 - Safety Instructions.

Mount the charger using 4 screws.

5.1.2 Output Connectors

Refer to output terminals 5, 6, 7 and 8 in Figs 2.1 / 2.2 / 2.3. Each terminal consists of tubular hole with set screw. Insert the wire end in the tubular hole and tighten the set screw. The diameter of the tubular holes is as follows:

SEC-1215UL	4 mm / 0.16 inches
SEC-2415UL / SEC-1230UL	4.8 mm / 0.19 inches

5.1.3 Wires for Output Connection

To avoid polarity errors and possible damage, never use wires of only one color. Use Red insulated wire(s) for Positive connection(s) and Black for Negative connection(s)

Recommended DC wire sizes are given below. The length in feet is the length of the pair of the Positive and Negative DC wires from the charger to the battery / other DC load. Recommended sizes will limit voltage drop to 2%:

SECTION 5 | Installation & Charger Operation

Length of the pair of the Positive & Negative cables	SEC-1215UL SEC-2415UL	SEC-1230UL
0 to 6 ft.	AWG #10	AWG #8
6 to 10 ft.	AWG #8	AWG #6
10 to 20 ft.	AWG #6	AWG #4

5.1.4 Pin Type Terminal Lugs for Wire Ends

If stranded wire is directly inserted in the tubular hole of the output terminal and the set screw is tightened, the strands will spread and the set screw may pinch only a few strands. This will result in loose connection, sparking, overheating and voltage drop. For firm connection, crimp / solder Pin Type of Terminal been provided for wire size for up to 6 ft:

- For SEC-1215UL / 2415UL: 4 pcs of PTNB5-13 (AWG #10)
- For SEC-1230UL: 4 pcs of PTNB10-12 (AWG #8)

5.2 CHARGER OPERATION

5.2.1 Preparing the Charger for Operation: Selecting AC input voltage

The charger is pre-set to operate from input AC voltage of 120 VAC, 50 / 60 Hz.

To operate the charger from AC input voltage of 230 VAC, 50 / 60 Hz, change the internal setting as follows:

1. Remove the 4 screws on the Ammeter side of the top cover
2. Gently slide the top cover out by 2 to 3 inches. **(CAUTION! The top cover will be restrained from fully sliding out by the wires connecting the Ammeter, LED and the fan)**
3. Locate the jumper wire with a "Quick Female Disconnect". In the pre-set condition, it is connected to the male vertical pin marked "115 V". Pull this female disconnect upwards to disconnect from the "115 V" position. Connect this to the male vertical pin marked "230 V"
4. Replace the fuse with the fuse recommended for 230 VAC operation (See fuse rating at Section 7)
5. Replace the AC plug of the power cord with a suitable 3 pin grounded plug to mate with the 230 VAC outlet. **CAUTION: The new plug should have 3 poles i.e. Line (L) , Neutral(N) and Earth ground. Color code for the power cord conductors is:**
 - Line (L) - Black
 - Neutral (N) - White
 - Earth ground - Green

5.2.2 Preparing the Charger for Operation: Selecting the Type of Battery and Charging Stages

The Float Voltage and Boost Voltage (Also called Absorption or Overcharge Voltage) of different types of Lead Acid Batteries are different. Also, when a charger is used to charge a battery and simultaneously supply a load , the Boost Stage is required to

SECTION 5 | Installation & Charger Operation

be disabled to prevent overcharging of the battery (see details under **CAUTION!** at Section 4.1.3). A DIP Switch (4 in Figs 2.1 to 2.3) is provided on top of the output terminals for selecting the battery type and for disabling the Boost Stage when charging loaded batteries. The following selections can be made with the help of the DIP Switch.



CAUTION!

Do not change the DIP Switch setting when the charger is operating. Always change the DIP Switch setting when the charger is off, i.e. after disconnecting the charger from the AC input power.

NOTE: The voltages are for a temperature of 80°F.



CAUTION!

Please ensure that the position No. 4 of the DIP switch (S1-ON & S2-ON) is NEVER selected.

TABLE 5.1 DIP SWITCH SETTINGS: SEC-1215UL/SEC-1230UL					
S1	S2	Float	Boost	Battery Type	Charging Stages
OFF *	ON *	13.5 V *	14.4 V *	Flooded / AGM *	3 Stages (Stages 1, 2, 3)
ON	OFF	13.5 V	14.0 V	Gel Cell	3 Stages (Stages 1, 2, 3)
OFF	OFF	13.5 V	Disabled	Battery with Load	2 Stages (Stages 1, 3)
ON	ON	Caution! Do NOT use this setting			

* Factory pre-set in this position

TABLE 5.2 DIP SWITCH SETTINGS - SEC-2415UL					
S1	S2	Float	Boost	Battery Type	Charging Stages
OFF *	ON *	27 V *	28.8 V *	Flooded / AGM *	3 Stages (Stages 1, 2, 3)
ON	OFF	27 V	28.0 V	Gel Cell	3 Stages (Stages 1, 2, 3)
OFF	OFF	27 V	Disabled	Battery with load	2 Stages (Stages 1, 3)
ON	ON	Caution! Do NOT use this setting			

* Factory pre-set in this position

SECTION 5 | Installation & Charger Operation

5.2.3 Connecting The Batteries or Other DC Loads

The output has a common Negative (-) terminal (5 in Figs 2.1 to 2.3) and 3 Positive terminals (6, 7 and 8 in Figs 2.1 to 2.3) for charging up to 3 independent banks of batteries. Each Positive connector has its own internal isolating diode which works as a battery isolator. If more than one bank of batteries is connected, these will be charged at the same time as long as the AC power is available to the charger (the maximum charging current of 15 A of SEC-1215UL / SEC-2415UL and 30 A of SEC-1230UL will be shared among the connected banks of the batteries depending upon their discharged states). In case the AC power fails or if there is no output from the charger, the isolating diodes will prevent charging / discharging among the batteries connected to the banks.

The above arrangement works as a battery isolator and can divide the charging current into a maximum of 3 isolated branches and allows current flow in each branch in one direction only. If more than one battery systems are being used independently, the system batteries will discharge to different levels. If system batteries are connected in parallel to charge from a single charger, a weak or a dead battery will drain the charge from the strong battery. Such situation occurs in RVs, boats and other vehicles where 2 separate battery systems are used – starter battery for starting and running the engine and the other auxiliary / house battery system for running auxiliary devices like inverters, refrigerators, car stereos etc. Here, the starter battery should be connected to one bank and the auxiliary / house battery to the second bank. Fig. 5.1 shows this connection.

In a single battery bank, two or more batteries may be connected in parallel to increase their Ampere Hour (Ah) capacity. These will be discharged and charged as a single battery bank. In this case, the paralleled bank of multiple batteries is to be considered as a single bank and connected to any one of the 3 banks of the charger as shown in Fig. 5.2 for bank of 4 batteries. For proper charging of all the batteries, please ensure that the Positive wire "A" from the charger is connected to the Positive terminal of the first battery (Battery 1) and the Negative wire "B" is connected to the Negative terminal of the last battery (Battery 4). This will ensure the following:

- Resistance of the interconnecting cables will be balanced and the individual batteries will see the same series resistance
- All the individual batteries will be charged at the same charging current and thus, will be charged to the same state of charge
- None of the batteries will see an overcharge condition

When connecting a single battery or other single DC load, it can be connected to the common Negative and any one of the 3 Positive terminals as in Fig. 5.2.

5.3 OPERATION

When the charger is switched on, the Red LED marked "Power" (2 in Figs 2.1 to 2.3) lights up indicating that output voltage is available. When the batteries are being charged or when the charger is supplying other DC load, the current fed by the charger will be indicated by the Ammeter (1, Figs 2.1 to 2.3).

SECTION 5 | Installation & Charger Operation

When the batteries are discharged, they will draw charging current proportional to their discharged condition (up to the maximum current rating of the charger) and this current draw will be shown by the Ammeter. When the batteries are fully charged, they will draw very low current (may not be registered by the Ammeter) to compensate for their self discharge.

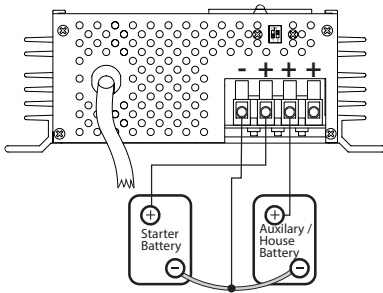


Fig. 5.1 Connecting 2 separate battery systems to 2 separate banks.

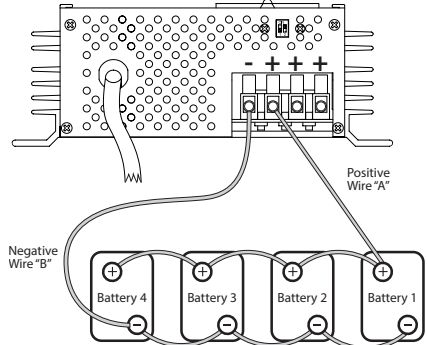


Fig. 5.2 Connecting bank of paralleled batteries to single bank.

5.3.1 Charging a Battery Installed in a Vehicle

Follow these steps when the battery is installed in a vehicle. A spark near a battery may cause battery explosion. For safety and to reduce the risk of spark near the battery:

- Position AC and DC cords to reduce risk of damage by hood, door or moving engine parts
- Stay clear of fan blades, belts, pulleys and other parts that can cause injury to persons
- Check the polarity of the battery posts. A Positive (Pos, P, +) battery post usually has a larger diameter than a Negative (Neg, N, -) post
- Determine which post of the battery is grounded (Connected to the chassis Engine Block). If the Negative post is grounded to the Engine Block (As in most vehicles), see sub paragraph (e). If the Positive post is grounded, see sub paragraph (f).
- For a Negative grounded vehicle, connect the Positive (Red) DC wire from the charger to the Positive of the battery post. Connect the Negative (Black) DC wire from the charger to a section of heavy gauge metal part of the frame or engine block which is away from battery. Do not connect to carburetor, fuel lines or sheet metal body parts.
- For a Positive grounded vehicle, connect the Negative (black) DC wire from the charger to the Negative of the battery post. Connect the Positive (red) DC wire from the charger to a section of heavy gauge metal part of the frame or engine block which is away from battery. Do not connect to carburetor, fuel lines or sheet metal body parts.
- Connect the charger AC power cord to the AC outlet

SECTION 5 | Installation & Charger Operation

- h) When disconnecting the charger, turn switches to off, disconnect AC power cord, remove connection from the vehicle chassis and then remove connection from the battery terminal

5.3.2 Charging a Battery outside the Vehicle

Follow these steps when the battery is outside the vehicle. A spark near the battery may cause battery explosion. For safety and to reduce risk of spark near the battery, connect the charger as follows:

- a) Check the polarity of the battery posts. A Positive (Pos, P, +) battery post usually has a larger diameter than a Negative (Neg, N, -) post
- b) Attach a piece of at least 3" of AWG #6 insulated battery wire to the Negative battery post
- c) Connect the Positive (Red) DC wire from the charger to the Positive battery post
- d) Position yourself and the free end of the piece of wire attached to the Negative post as far away from the battery as possible and then connect the Negative (Black) DC wire from the charger to the free end of the piece of wire attached to the Negative battery post
- e) Do not face the battery when making the final connection
- f) Connect the charger AC power cord to the AC outlet
- g) When disconnecting the charger, always do so in reverse sequence of connecting procedure and break the first connection while standing as far away from the battery as practical

5.4 CHARGING MORE THAN ONE BANK OF BATTERIES



CAUTION!

When charging more than one bank of batteries at the same time using 3 Stage Charging, ensure that the batteries in the banks are in a similar discharged condition. If one bank is completely discharged and another is almost fully charged, the bank that is fully charged will be subjected to over charge condition during the time when the charger remains in Boost Stage for charging the completely discharged bank. If batteries are in dissimilar states of charge, select DIP Switch setting for "Battery with Load" (see Tables 5.1 and 5.2).

5.4.1 Powering Other DC Loads

The charger can be used as a power supply or as a DC UPS . For both these applications, first set the DIP Switch to "Battery with load" (See under " Selecting the Type of Battery and Charging Stages" at Section 5.2.2).

To use as a power supply, first switch off the DC load. Connect the DC load between the common Negative terminal and one of the three Positive terminals. **Ensure that the maximum current drawn by the DC load is below the maximum current rating of the charger. Switch on the charger and then the DC load.**

SECTION 5 | Installation & Charger Operation

In a DC UPS (Un-interruptible Power Supply) , the charger simultaneously powers the DC load as well as the battery. As long as the AC power to the charger is available and the charger is working normally, the charger will supply the DC load as well as charge/float the battery. In case the AC power fails or if the charger stops working, the battery will automatically power the DC load. As soon as the AC power to the charger is restored , the DC load will once again be fed by the charger and at the same time the battery will be recharged.



CAUTION!

Please ensure that the sum of the current drawn by the DC load and the current desired for charging the battery is less than the maximum current capacity of the charger.

To use as a DC UPS, first switch off the DC load and connect it to the battery. Now connect the battery as explained under "Charging a Battery outside the Vehicle" (Section 5.3.2). Switch on the charger and then switch on the DC load.

SECTION 6 | Troubleshooting

6.1 SYMPTOMS: CHARGER POWERED AND CONNECTED TO THE BATTERY

6.1.1 Red LED (2 in Figs 2.1 to 2.3) is OFF

The DC side fuse may have blown due to wrong polarity of battery connection. Ensure Positive of the battery is connected to the Positive of the charger and the Negative of the battery is connected to the Negative of the charger. Check the fuses inside the charger and replace, if blown.

The battery may be shorted. In this condition, the unit is shut down by the short circuit protection circuit. Remove the battery connection. If the Red LED now comes on, the battery is shorted. If the Red LED still does not come on, check if there is AC power in the receptacle. If there is power, check the AC side fuse inside the unit. If the fuse is not blown, call Technical Support.

6.1.2 Red LED (2 in Figs 2.1 to 2.3) is ON but the Ammeter Shows No Reading

The battery is fully charged. If the battery is not fully charged, the connection to the battery may be loose or open. Check tightness and continuity of the battery connection.

6.1.3 The Battery Is Getting Over Charged or Boils

The charger is also feeding other DC load(s) in parallel with the battery. The DIP Switch is not selected for "Battery with Load". Change DIP Switch setting to "Battery with Load" (see Section 5.2.2 and DIP Switch Settings at Tables 5.1 and 5.2).

SECTION 6 | Troubleshooting

6.2 SYMPTOMS: CHARGER POWERED & DISCONNECTED FROM BATTERY

6.2.1 Red LED (2 in Figs 2.1 to 2.3) is OFF

Check there is AC power in the receptacle. If there is power, check the AC side fuse inside the unit. If the fuse is not blown, check the DC side fuse. If the DC side fuse is not blown, the output may be shorted. In this condition, the charger is shut down by the short circuit protection circuit. Check that the output terminals are not shorted. If the terminals are not shorted, call Technical Support.

6.2.2 Internal AC Side Fuse Blows as Soon as Power is Turned ON

The AC input is selected for 120 VAC but the unit is plugged into 230 VAC. Always check that the charger is set for the correct AC mains voltage (Refer to Section 5.2.1). If the AC input voltage is correct, the charger is defective. Call Technical Support.

6.2.3 DC Side Fuse Blows As Soon As The Battery Is Connected

Wrong polarity of battery connection. Ensure Positive of the battery is connected to the Positive of the charger and the Negative of the battery is connected to the Negative of the charger.

6.3 SYMPTOMS WHEN THE CHARGER IS POWERED AND IS BEING USED AS A DC POWER SUPPLY/UPS

6.3.1 The Voltage Drops When Load is Switched ON

The load is trying to draw current more than the current limit value of the charger (the current limit value is the maximum specified charging Amps - see Specifications at Section 7). Once the load current reaches the current limit value, the current limit circuit is activated and the output voltage drops. Some loads like motors, compressors, incandescent lamps, halogen lamps, heating elements, relays, coils, capacitors etc. draw very large inrush/starting currents which may reach up to 10 times their normal operating currents. Ensure that the starting / inrush current or the maximum operating current of the load is lower than the current limit value of the charger.



INFO

Both the AC side and DC sides have fuses that are located inside the charger. Disconnect the AC power when checking or changing the fuses. Open the charger as follows:

1. Remove the 4 screws on the ammeter side of the top cover
2. **Gently slide the top cover out by about 2 to 3 inches.**
(CAUTION! The top cover will be restrained from fully sliding out by the wires connecting the ammeter, LED and fan)
3. The fuses will now be accessible. See Specifications in Section 7 for fuse ratings.

SECTION 7 | Specifications

MODEL NO. SEC-1215UL	
INPUT	
NOMINAL INPUT VOLTAGE AND FREQUENCY	120 VAC, 50/60 Hz (Default) 230 VAC, 50/60Hz (Internal jumper setting)
AC INPUT CONNECTION	Attached Power Cord: <ul style="list-style-type: none"> • 6 ft length • 3 x 18AWG wire size • NEMA5-15P Plug
OUTPUT	
CHARGING CURRENT	15A
CHARGING STAGES	3 Stages (DIP Switch setting - Default): <ul style="list-style-type: none"> • Bulk, Absorption and Float 2 Stages (DIP Switch setting): <ul style="list-style-type: none"> • Bulk and Float
CHARGING VOLTAGES	Absorption: <ul style="list-style-type: none"> • 14.4 VDC (Default) • 14.0 VDC (DIP Switch setting) • Disable (DIP Switch setting) Float: 13.5 VDC
NO. OF CHARGING BANKS	3
OUTPUT CONNECTIONS	Tubular Hole with Set Screw Hole Diameter: 4 mm / 0.16 in
MONITORING	
LED DISPLAY	Red LED: Output is available
ANALOGUE METER	Ammeter: 0 to 15A
COOLING	
TYPE OF COOLING	Convection cooled (No fan)
PROTECTIONS	
OUTPUT SHORT CIRCUIT	No output voltage. Auto reset on removal of short
INPUT OVERLOAD	4A input side fuse will blow (120 VAC input)
OUTPUT OVERLOAD	Electronic current limit at 15A
REVERSE POLARITY ON OUTPUT SIDE	20A output side fuse will blow
FUSES	
INTERNAL AC INPUT SIDE FUSE (120 VAC OPERATION)	4A, 250V; Size 5mm x 20mm; Time Delay Type Mfr.: Littelfuse 0218004 or equivalent
INTERNAL AC INPUT SIDE FUSE (230 VAC OPERATION)	2A, 250V; Size 5mm x 20mm; Time Delay Type Mfr.: Littelfuse 0218002 or equivalent
INTERNAL DC OUTPUT SIDE FUSE	32V, 20A; Automotive Blade Type; Fast Acting Mfr.: Littell Fuse 0287020 or equivalent
ENVIRONMENT	
OPERATING TEMPERATURE RANGE	-20°C to +40°C / -4°F to +104°F
STORAGE TEMPERATURE	-30°C to +70°C / -22°F to +158°F
RELATIVE HUMIDITY	Up to 90%, non condensing
OPERATING CONDITIONS	Indoor, ventilated, cool and dust free
COMPLIANCE	
SAFETY	Intertek-ETL Listed as follows: <ul style="list-style-type: none"> • Conforms to ANSI/UL Standard 1564 • Certified to CAN/CSA STD. C22.2 No. 107.2
EMI	FCC Part 15(B), Class B
DIMENSIONS	
L x W x H	218 x 214 x 83 mm / 8.6 x 8.4 x 3.3 in
WEIGHT	2.2 Kg / 4.8 lbs

- NOTES:** 1. DC voltages are based on battery temperature of 86° F / 26.7°C
2. Specifications are subject to change without notice

SECTION 7 | Specifications

MODEL NO. SEC-1230UL	
INPUT	
NOMINAL INPUT VOLTAGE AND FREQUENCY	120 VAC, 50/60 Hz (Default) 230 VAC, 50/60Hz (Internal jumper setting)
AC INPUT CONNECTION	Attached Power Cord: <ul style="list-style-type: none"> • 6 ft length • 3 x 18AWG wire size • NEMA5-15P Plug
OUTPUT	
CHARGING CURRENT	30A
CHARGING STAGES	3 Stages (DIP Switch setting - Default): <ul style="list-style-type: none"> • Bulk, Absorption and Float 2 Stages (DIP Switch setting): <ul style="list-style-type: none"> • Bulk and Float
CHARGING VOLTAGES	Absorption: <ul style="list-style-type: none"> • 14.4 VDC (Default) • 14.0 VDC (DIP Switch setting) • Disable (DIP Switch setting) Float: 13.5 VDC
NO. OF CHARGING BANKS	3
OUTPUT CONNECTIONS	Tubular Hole with Set Screw Hole Diameter: 4.8 mm / 0.19 in
MONITORING	
LED DISPLAY	Red LED: Output is available
ANALOGUE METER	Ammeter: 0 to 30A
COOLING	
TYPE OF COOLING	Temperature controlled fan: <ul style="list-style-type: none"> • On when power transformer temperature rises to 60°C / 140°F • Off when cools down to 50°C / 122°F
PROTECTIONS	
OUTPUT SHORT CIRCUIT	No output voltage. Auto reset on removal of short
INPUT OVERLOAD	8A input side fuse will blow (120 VAC input)
OUTPUT OVERLOAD	Electronic current limit at 30A
REVERSE POLARITY ON OUTPUT SIDE	2 x 20A output side fuse will blow
OVER TEMPERATURE SHUT DOWN	Power transformer temperature rises to 105°C / 221°F
FUSES	
INTERNAL AC INPUT SIDE FUSE (120 VAC OPERATION)	8A, 250V; Size 5mm x 20mm; Time Delay Type Mfr.: Littelfuse 0218008 or equivalent
INTERNAL AC INPUT SIDE FUSE (230 VAC OPERATION)	4A, 250V; Size 5mm x 20mm; Time Delay Type Mfr.: Littelfuse 0218004 or equivalent
INTERNAL DC OUTPUT SIDE FUSE	2 x (32V, 20A); Automotive Blade Type; Fast Acting Mfr.: Littelfuse 0287020 or equivalent
ENVIRONMENT	
OPERATING TEMPERATURE RANGE	-20°C to +40°C / -4°F to +104°F
STORAGE TEMPERATURE	-30°C to +70°C / -22°F to +158°F
RELATIVE HUMIDITY	Up to 90%, non condensing
OPERATING CONDITIONS	Indoor, ventilated, cool and dust free
COMPLIANCE	
SAFETY	Intertek-ETL Listed as follows: <ul style="list-style-type: none"> • Conforms to ANSI/UL Standard 1564 • Certified to CAN/CSA STD. C22.2 No. 107.2
EMI	FCC Part 15(B), Class B
DIMENSIONS	
L x W x H	280 x 214 x 83 mm / 11.0 x 8.4 x 3.3 in
WEIGHT	2.9 Kg / 6.4 lbs

NOTES: 1. DC voltages are based on battery temperature of 86° F / 26.7°C
2. Specifications are subject to change without notice

SECTION 7 | Specifications

MODEL NO. SEC-2415UL	
INPUT	
NOMINAL INPUT VOLTAGE AND FREQUENCY	120 VAC, 50/60 Hz (Default) 230 VAC, 50/60Hz (Internal jumper setting)
AC INPUT CONNECTION	Attached Power Cord: <ul style="list-style-type: none"> • 6 ft length • 3 x 18AWG wire size • NEMA5-15P Plug
OUTPUT	
CHARGING CURRENT	15A
CHARGING STAGES	3 Stages (DIP Switch setting - Default): <ul style="list-style-type: none"> • Bulk, Absorption and Float 2 Stages (DIP Switch setting): <ul style="list-style-type: none"> • Bulk and Float
CHARGING VOLTAGES	Absorption: <ul style="list-style-type: none"> • 28.8 VDC (Default) • 28.0 VDC (DIP Switch setting) • Disable (DIP Switch setting) Float: 27.0 VDC
NO. OF CHARGING BANKS	3
OUTPUT CONNECTIONS	Tubular Hole with Set Screw Hole Diameter: 4.8 mm / 0.19 in
MONITORING	
LED DISPLAY	Red LED: Output is available
ANALOGUE METER	Ammeter: 0 to 15A
COOLING	
TYPE OF COOLING	Temperature controlled fan: <ul style="list-style-type: none"> • On when power transformer temperature rises to 60°C / 140°F • Off when cools down to 50°C / 122°F
PROTECTIONS	
OUTPUT SHORT CIRCUIT	No output voltage. Auto reset on removal of short
INPUT OVERLOAD	8A input side fuse will blow (120 VAC input)
OUTPUT OVERLOAD	Electronic current limit at 15A
REVERSE POLARITY ON OUTPUT SIDE	2 x 10A output side fuse will blow
OVER TEMPERATURE SHUT DOWN	Power transformer temperature rises to 105°C / 221°F
FUSES	
INTERNAL AC INPUT SIDE FUSE (120 VAC OPERATION)	8A, 250V; Size 5mm x 20mm; Time Delay Type Mfr.: Littelfuse 0218008 or equivalent
INTERNAL AC INPUT SIDE FUSE (230 VAC OPERATION)	4A, 250V; Size 5mm x 20mm; Time Delay Type Mfr.: Littelfuse 0218004 or equivalent
INTERNAL DC OUTPUT SIDE FUSE	2 x (32V, 10A); Automotive Blade Type; Fast Acting Mfr.: Littelfuse 0287010 or equivalent
ENVIRONMENT	
OPERATING TEMPERATURE RANGE	-20°C to +40°C / -4°F to +104°F
STORAGE TEMPERATURE	-30°C to +70°C / -22°F to +158°F
RELATIVE HUMIDITY	Up to 90%, non condensing
OPERATING CONDITIONS	Indoor, ventilated, cool and dust free
COMPLIANCE	
SAFETY	Intertek-ETL Listed as follows: <ul style="list-style-type: none"> • Conforms to ANSI/UL Standard 1564 • Certified to CAN/CSA STD. C22.2 No. 107.2
EMI	FCC Part 15(B), Class B
DIMENSIONS	
L x W x H	280 x 214 x 83 mm / 11.0 x 8.4 x 3.3 in
WEIGHT	2.9 Kg / 6.4 lbs

- NOTES:** 1. DC voltages are based on battery temperature of 86° F / 26.7°C
2. Specifications are subject to change without notice

SECTION 8 | Warranty

2 YEAR LIMITED WARRANTY

SEC-1215UL, SEC-1230UL and SEC-2415UL are manufactured by Samlex America Inc. (the "Warrantor") is warranted to be free from defects in workmanship and materials under normal use and service. The warranty period is 2 years for the United States and Canada, and is in effect from the date of purchase by the user (the "Purchaser").

Warranty outside of the United States and Canada is limited to 6 months. For a warranty claim, the Purchaser should contact the place of purchase to obtain a Return Authorization Number.

The defective part or unit should be returned at the Purchaser's expense to the authorized location. A written statement describing the nature of the defect, the date of purchase, the place of purchase, and the Purchaser's name, address and telephone number should also be included.

If upon the Warrantor's examination, the defect proves to be the result of defective material or workmanship, the equipment will be repaired or replaced at the Warrantor's option without charge, and returned to the Purchaser at the Warrantor's expense. (Contiguous US and Canada only)

No refund of the purchase price will be granted to the Purchaser, unless the Warrantor is unable to remedy the defect after having a reasonable number of opportunities to do so. Warranty service shall be performed only by the Warrantor. Any attempt to remedy the defect by anyone other than the Warrantor shall render this warranty void. There shall be no warranty for defects or damages caused by faulty installation or hook-up, abuse or misuse of the equipment including exposure to excessive heat, salt or fresh water spray, or water immersion.

No other express warranty is hereby given and there are no warranties which extend beyond those described herein. This warranty is expressly in lieu of any other expressed or implied warranties, including any implied warranty of merchantability, fitness for the ordinary purposes for which such goods are used, or fitness for a particular purpose, or any other obligations on the part of the Warrantor or its employees and representatives.

There shall be no responsibility or liability whatsoever on the part of the Warrantor or its employees and representatives for injury to any persons, or damage to person or persons, or damage to property, or loss of income or profit, or any other consequential or resulting damage which may be claimed to have been incurred through the use or sale of the equipment, including any possible failure of malfunction of the equipment, or part thereof. The Warrantor assumes no liability for incidental or consequential damages of any kind.

Samlex America Inc. (the "Warrantor")

www.samlexamerica.com

Contact Information

Toll Free Numbers

Ph: 1 800 561 5885

Fax: 1 888 814 5210

Local Numbers

Ph: 604 525 3836

Fax: 604 525 5221

Website

www.samlexamerica.com

USA Shipping Warehouses

Kent, WA

Plymouth, MI

Canadian Shipping Warehouse

Delta, BC

Email purchase orders to

orders@samlexamerica.com



samlexamerica®



samlexpower®

**Chargeur
Commutateur,
Automatique
de Batterie
Plomb-Acide**

SEC-1215UL
SEC-1230UL
SEC-2415UL

Guide
d'utilisation

Veuillez lire ce
manuel AVANT
d'utiliser votre
chargeur de
batterie

MANUEL D'UTILISATION | Index

SECTION 1

Instructions de sécurité 3

SECTION 2

Disposition 6

SECTION 3

Description, caractéristiques & refroidissement 9

SECTION 4

Niveaux de charge et protections 10

SECTION 5

Installation et utilisation du chargeur 13

SECTION 6

Résolution des problèmes 19

SECTION 7

Spécifications 21

SECTION 8

Garantie 24

Exclusion de responsabilité

SAUF ACCORD ÉCRIT, SAMLEX AMERICA INC. :

1. N'OFFRE AUCUNE GARANTIE QUANT À L'EXACTITUDE, L'EXHAUSTIVITÉ OU LA PERTINENCE DE TOUTE TECHNIQUE OU D'AUTRES INFORMATIONS FOURNIES DANS SES MANUELS OU D'AUTRES DOCUMENTS.
2. N'ASSUME AUCUNE RESPONSABILITÉ OU RESPONSABILITÉ POUR LES PERTES, DOMMAGES, COÛTS OU DÉPENSES, QU'IL S'AGISSE DE PARTICULIERS, DIRECTS, INDIRECTS, CONSÉCUTIFS OU ACCESSOIRES, QUI POURRAIENT DÉCOULER DE L'UTILISATION DE TELLES INFORMATIONS. L'UTILISATION DE CES RENSEIGNEMENTS EST ENTièrement AUX RISQUES DE L'UTILISATEUR.

Samlex America se réserve le droit de réviser ce document et à apporter périodiquement des modifications à son contenu sans obligation ni organisation de telles révisions ou modifications.

Avis de droit d'auteur/mention de réserve de droit d'auteur

Copyright © 2019 par Samlex America Inc. Tous droits réservés. L'autorisation de copier, distribuer ou modifier ce document est interdite sans l'autorisation expresse et écrite de Samlex America Inc.

SECTION 1 | Instructions de sécurité

1.1 SYMBOLE

CONSERVEZ CES INSTRUCTIONS. Ce manuel contient des instructions importantes pour les modèles SEC-1215UL, SEC-1230UL et SEC-2415UL.

Les symboles de sécurité suivants seront utilisés dans ce manuel pour mettre en évidence l'information et de sécurité :



MISE EN GARDE!

Il y a une possibilité de faire du mal physique à l'utilisateur si les consignes de sécurité sont pas suivies.



ATTENTION!

Il y a une risque de faire des dégâts à l'équipement si l'utilisateur ne suit pas les instructions.



INFORMATION

Indique des renseignements supplémentaires utiles.

Veillez lire ces instructions avant d'installer ou d'utiliser l'appareil pour éviter les blessures ou dommages à l'unité.

1.2 INSTRUCTIONS DE SÉCURITÉ - GÉNÉRAL

1.2.1 La conformité de l'Installation et câblage

- L'installation et le câblage doit être conforme aux codes électriques locaux et nationaux et doit être fait par un électricien certifié.
- Installation sur un bateau peut entraîner la corrosion de la voile. Il est recommandé que l'installation sur un bateau peut être effectué par un électricien en bateau.
- Si une rallonge électrique est utilisé pour l'alimentation 120 VCA, veuillez vous assurer qu'il a mise à la terre à 3 broches, NEMA5-15 / connecteur réceptacle et taille de fil est la même que la taille du fil du cordon d'alimentation (voir section des fils dans les spécifications à la section 7).

1.2.2 Prévenir les chocs électriques

- Le châssis en métal du chargeur est connecté à la broche de masse du cordon d'alimentation. Pour une mise à la terre correcte du châssis en métal, s'assurer que la borne de masse de la prise secteur de la mise sous tension du chargeur est bien connecté au système / la terre.
- Démontage / réparation doivent être effectués uniquement par un personnel qualifié.
- Débrancher toutes les connexions côté AC et DC avant de travailler sur des circuits associés à l'unité. Mise hors tension d'entrée AC à l'unité ne peut pas entièrement supprimer des tensions dangereuses.

SECTION 1 | Instructions de sécurité

- Faites attention lorsque vous manipulez les bornes nues de condensateurs. Les condensateurs peuvent conserver des tensions mortelles même après la mise hors tension. Décharger les condensateurs avant de travailler sur les circuits.
- Ne pas faire fonctionner le chargeur si le cordon d'alimentation CA est endommagé.

1.2.3 Environnement de l'installation

- Le chargeur doit être installé en intérieur uniquement dans un endroit bien aéré, frais et sec, à l'environnement.
- Ne pas exposer à l'humidité, pluie, neige ou de liquides de tout type. Lorsqu'il est installé dans un bateau, s'assurer qu'il n'est pas assujéti à une pulvérisation d'eau / eau de cale splash.
- N'installez pas le chargeur directement au-dessus ou en dessous de la batterie en charge car gaz / électrolyte de la batterie se corroder / endommager le chargeur. N'installez pas dans le même compartiment que les piles.
- Pour réduire le risque de surchauffe et d'incendie, ne pas obstruer les ouvertures d'aspiration et de refoulement du ventilateur de refroidissement.
- Pour assurer une ventilation adéquate, ne l'installez pas dans un compartiment à faible dégagement où le renouvellement d'air froid est limité. Il devrait y avoir un dégagement de 6 " tout autour de l'unité.

1.2.4 La prévention des risques d'incendie et d'explosion

- Travailler avec l'appareil peut produire des arcs ou des étincelles. Ainsi, l'unité ne doit pas être utilisé dans des zones où il y a des matériaux inflammables ou de gaz nécessitant des équipements protégés d'allumage. Ces zones peuvent inclure des espaces contenant des machines fonctionnant à l'essence, les réservoirs de carburant, et compartiments à piles.

1.2.5 Précautions lors de travaux avec des batteries

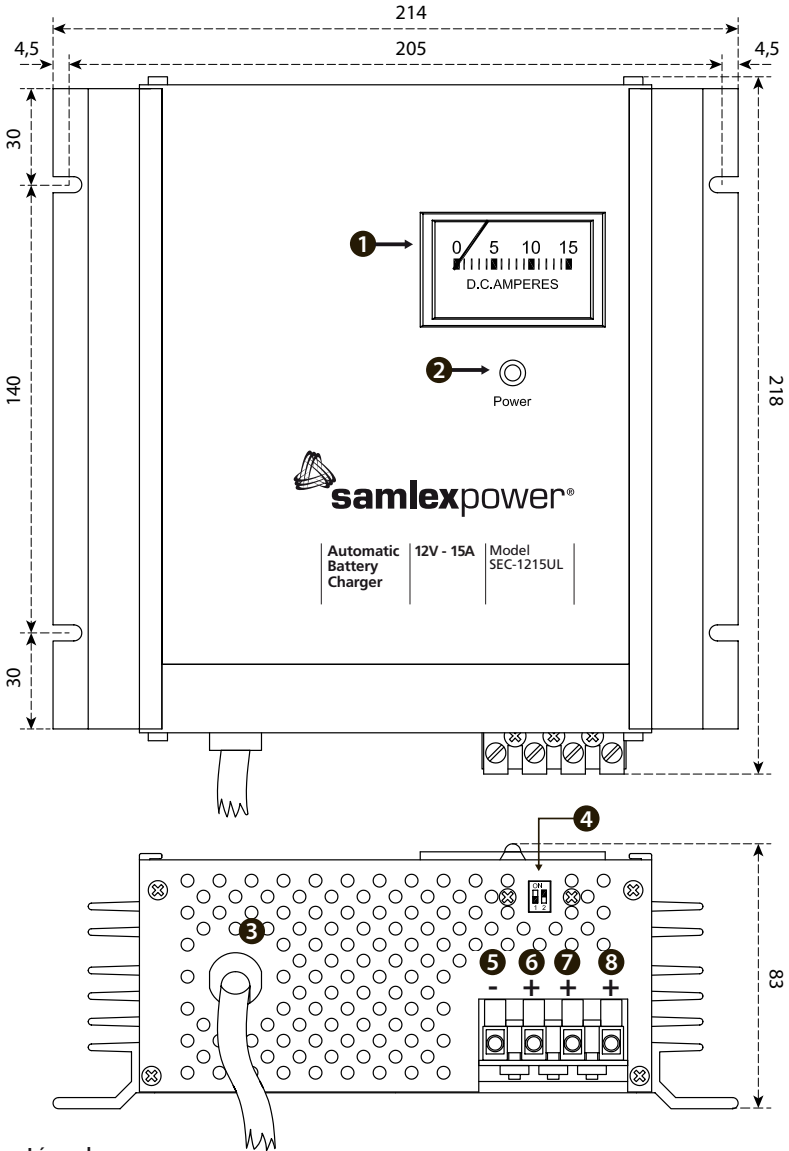
- Charger les batteries au plomb seulement
- Ne jamais charger une batterie gelée - il peut exploser !
- Les batteries contiennent de très corrosif de l'acide sulfurique dilué comme électrolyte. Des précautions doivent être prises pour éviter tout contact avec la peau, les yeux ou les vêtements.
- Générer de l'hydrogène des batteries et de l'oxygène au cours de la charge résultant de l'évolution du mélange de gaz explosifs. Il faut prendre soin de bien aérer la zone de la batterie et de suivre les recommandations du fabricant.
- Ne jamais fumer ou permettre qu'une étincelle ou une flamme à proximité des batteries.
- Procédez avec précaution pour réduire le risque de chute d'un outil métallique sur la batterie. Il pourrait déclencher ou court-circuit de la batterie ou d'autres pièces électriques et pourraient provoquer une explosion.

SECTION 1 | Instructions de sécurité

- Retirer les objets métalliques tels que bagues, bracelets et montres lors de travaux avec des batteries. Les piles peuvent produire un courant de court-circuit suffisamment haut pour souder un anneau ou similaires au métal et, par conséquent, causer des brûlures sévères.
- Si vous avez besoin de retirer la batterie, retirez toujours la borne de masse de la batterie en premier. S'assurer que tous les accessoires sont off afin de ne pas provoquer une étincelle.
- Débranchez l'alimentation d'entrée le chargeur avant de connecter / déconnecter les batteries ou autres charges DC ou lors d'un travail sur le chargeur.
- Débranchez l'alimentation d'entrée avant de modifier la configuration de l'interrupteur DIP.

SECTION 2 | Disposition

2.1 SEC-1215UL



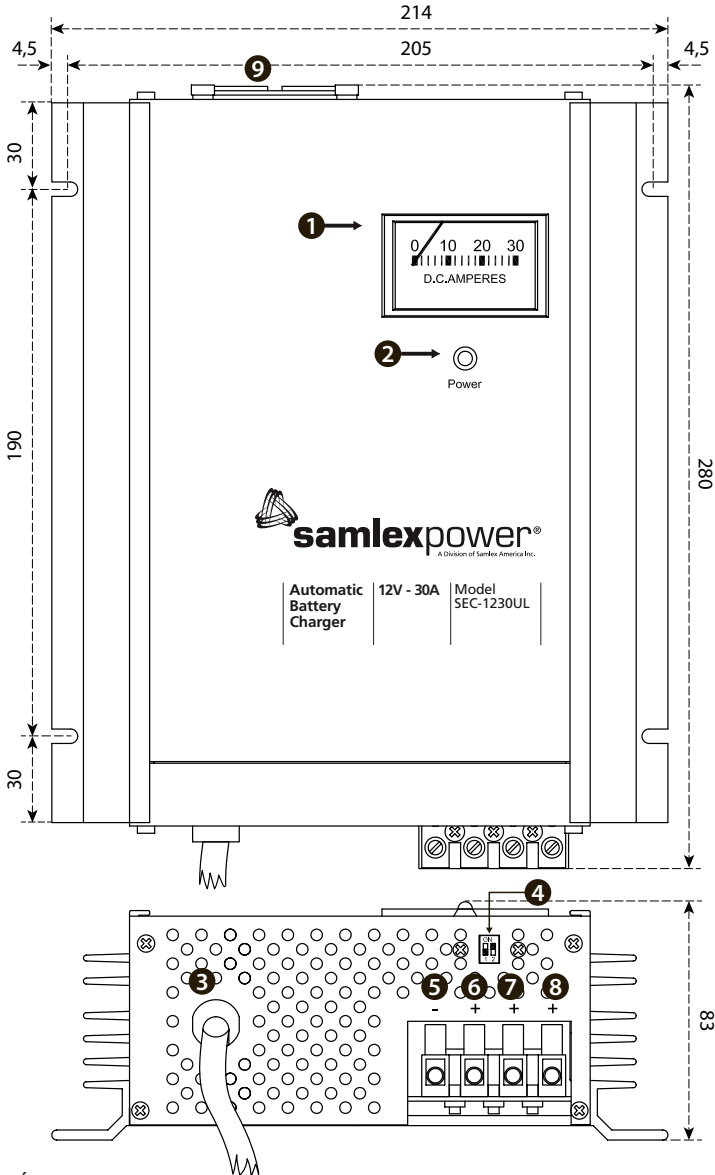
Légende :

- 1 Ampèremètre
 - 2 LED rouge pour le statut ON
 - 3 Cordon d'entrée CA avec la NEMA5-15 bouchon
 - 4 Les commutateurs DIP S1, S2
 - 5 Borne de sortie négative commune
 - 6 7 8 Terminaux bancaires positifs isolés
- } Trou tubulaire avec vis
• Diamètre du trou :
4 mm / 0.16"

Fig 2.1 Disposition - SEC-1215UL

SECTION 2 | Disposition

2.2 SEC-1230UL

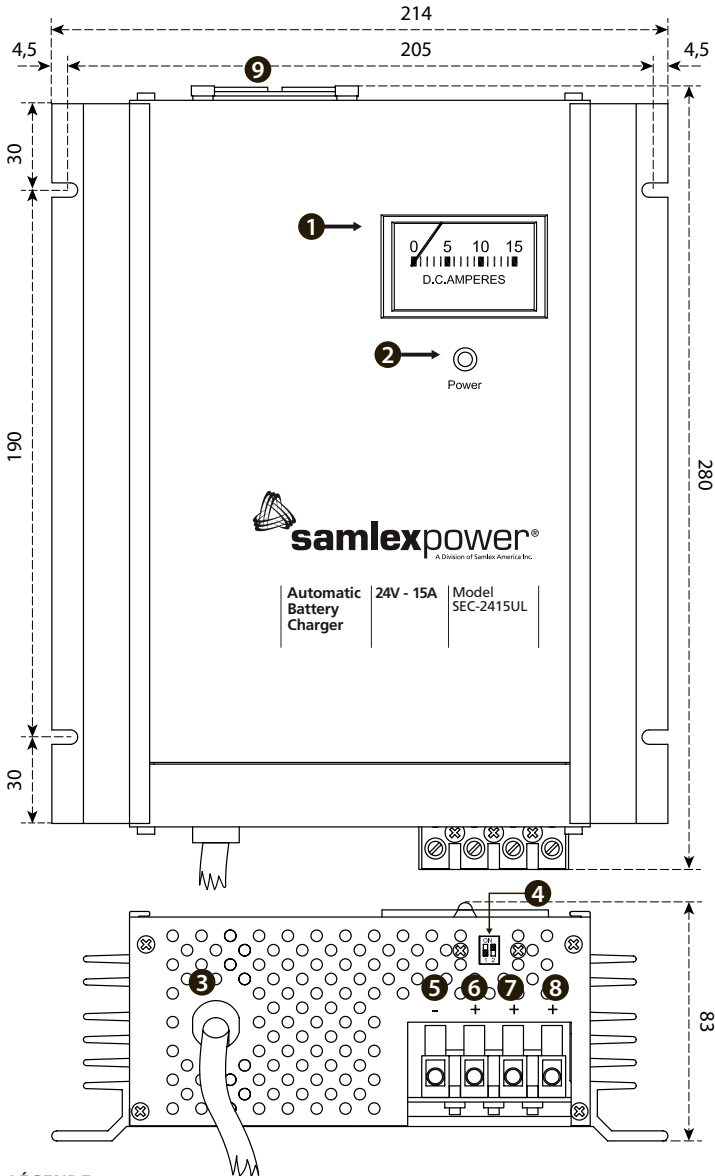


LÉGENDE :

- ① Ampèremètre
 - ② LED rouge pour le statut ON
 - ③ Cordon d'entrée CA avec la NEMA5-15 boucher
 - ④ Les commutateurs DIP S1, S2
 - ⑤ Borne de sortie négative commune
 - ⑥ ⑦ ⑧ Terminals bancaires positifs isolés
 - ⑥ Ventilateur de refroidissement
- } Trou tubulaire avec vis
• Diamètre du trou : 4,8 mm / 0,19"

SECTION 2 | Disposition

2.3 SEC-2415UL



LÉGENDE :

- 1 Ampèremètre
 - 2 LED rouge pour le statut ON
 - 3 Cordon d'entrée CA avec la NEMA5-15 boucher
 - 4 Les commutateurs DIP S1, S2
 - 5 Borne de sortie négative commune
 - 6 7 8 Terminaux bancaires positifs isolés
 - 6 Ventilateur de refroidissement
- } Trou tubulaire avec vis
• Diamètre du trou : 4,8 mm / 0,19"

SECTION 3 | Description, caractéristiques et refroidissement

3.1 DESCRIPTION

Ces chargeurs sont destinés à charger des batteries de type plomb-acide (inondées / AGM / cellules gelées).

SEC-1215UL (courant de charge maximum 15A) et SEC-1230UL (courant de charge maximum 30A) sont utilisées pour charger des batteries de 24V. Ces chargeurs peuvent être alimentés depuis une source de CA de 120V, 60 Hz (réglage par défaut) ou 230V, 50 Hz (en changeant la position du disjoncteur au sein de l'unité – Voir la section 5, tableau 5.1 et 5.2 pour plus d'informations).

3.2 CARACTÉRISTIQUES

- La technologie à découpage haute gamme est utilisée en raison de son importante efficacité, de son poids léger et de son fonctionnement silencieux.
- La tension d'entrée du CA est sélectionnable par l'utilisateur – 120V, 60 Hz (réglage par défaut) ou 230V, 50 Hz (en changeant la position du disjoncteur au sein de l'unité – Voir la section 5, Tableaux 5.1 et 5.2 pour plus d'informations).
- L'utilisateur peut sélectionner 2 ou 3 niveaux d'algorithmes de charge et procéder à la charge de toutes les batteries de type plomb-acide en toute sécurité - inondées / AGM / cellules gelées ou des batteries à charg externe. (interrupteur DIP accessible en externe – Voir la section 5, Tableaux 5.1 et 5.2 pour plus d'informations).
- Fonctionnement entièrement automatique « Chargez et oubliez ».
- 3 banques de batteries peuvent être chargées simultanément sans avoir à utiliser un isolateur externe de batterie.
- Contrôle effectué à l'aide de la DEL, indiquant le statut ON et l'ampèremètre.
- Température régulée par ventilateur.
- Protections contre les courts-circuits, la surcharge, la connexion inversée de la batterie et la surchauffe (surchauffe pour SEC-1230UL et SEC-2415UL)
- Peut être utilisé comme source d'énergie ou comme ASI CC, lorsqu'utilisé avec une batterie (option « batterie avec charge » sélectionné à l'aide de l'interrupteur DIP - Voir la section 5, tableau 5.1 et 5.2 pour plus d'informations).

3.3 REFROIDISSEMENT

SEC-1215UL est refroidie par convection et ne possède pas de protecteur thermique de surcharge.

SEC-1230UL et SEC-2415UL sont refroidis par convection et possèdent également un ventilateur régulant et contrôlant la température de charge. Deux capteurs thermiques montés sur le transformateur électrique contrôlent le déclenchement du ventilateur et le protecteur thermique de surcharge. Le ventilateur s'enclenche lorsque le premier capteur thermique indique que le transformateur atteint les 60°C / 140°F.

SECTION 3 | Description, caractéristiques et refroidissement

Cependant, lors de charges minimales, le ventilateur peut ne pas se déclencher et être éteint. Ceci est normal.

Dans le cas où le ventilateur ne fonctionne pas ou est inadéquat, le second capteur thermique entraînera l'arrêt de l'unité dès que la température du transformateur atteint les 105°C / 221°F. La DEL rouge se mettra en position OFF. L'unité se remettra en marche une fois l'état de surchauffe terminé.

SECTION 4 | Niveaux de charge et protections

4.1 CHARGING STAGES



INFORMATION

a) LECTURES DE TENSION HORS-CHARGE

L'alimentation dispose d'une borne commune négative et de trois bornes positives pour le chargement de trois banques de batterie. Chaque borne positive dispose d'une série de diodes internes isolantes qui à une chute de tension directe de 0,8 à 1,1v. Hors charge, (ce qui signifie qu'aucune batterie ou autre cc est connectée au 3 bornes), la lecture de tension indiquera 0,8 à 1,1 v supérieure à la tension de flottage spécifiée. Notez que la tension de flottage spécifiée est à une charge de 1 a. Aussi, la tension des bornes non connectées à la charge (par exemple, lorsqu'une banque de batteries est connectée à une borne positive, les 2 autres bornes positives demeureront déconnectées) indiquera une tension de 0,8 à 1,1 v supérieure à la tension de la borne en charge.

b) SPECIFICATIONS SUR LA TENSION

Toutes les tensions évaluées sont spécifiées à une température de batterie de 80°F.

Ces chargeurs peuvent être sélectionnés manuellement afin de fonctionner en niveau 2 ou niveau 3. (Veuillez consulter « Sélectionner le type de batterie et les niveaux de charge » à la section 5.2.2). Les niveaux de charge sont décrits ci-dessous :

4.1.1 Niveau 1 – Courant constant ou charge de masse

Lorsque la batterie est déchargée, elle a tendance à consommer plus de courant de charge. Le chargeur sent cette consommation de courant et la limite à une valeur permise maximum (15A pour SEC-1215UL / SEC-2415UL et 30A pour SEC-1230UL). La charge de masse se fait au cours de ce courant constant. **Dans cette condition de courant constant, la tension mesurée aux bornes du chargeur ou de la batterie sera la tension intrinsèque de la batterie, proportionnelle à son état de charge.**

SECTION 4 | Niveaux de charge et protections

Le courant constant injecté dans la batterie restaure les capacités de la batterie peu à peu et sa tension commence à augmenter. Lorsque la tension approche le seuil de gazéification de la batterie, appelée « tension d'amplification ou d'absorption ». La valeur de cette tension dépend du type de batterie chargée (Voir réglages DIP à l'article 5, tableaux 5.1 et 5.2). Désormais, 80% des capacités de la batterie ont normalement été restaurées (note : le pourcentage de capacité restaurée jusqu'à ce que la batterie atteigne la tension d'amplification ou d'absorption est inversement proportionnelle à la valeur du courant de charge de masse).

4.1.2 Niveau 2 – Amplification courante de tension ou absorption

Comme expliqué à la Section 4.1.1, lorsque la tension de la batterie avoisine l'état de « gazéification », le chargeur passe automatiquement en phase « d'amplification ou d'absorption ». Le chargeur applique une tension courante dont les valeurs dépendent du type de batterie sélectionnée (Voir réglages DIP à la section 5, tableau 5.1 et 5.2). Cette surcharge contrôlée restaure les 20% restant des capacités de la batterie dans un laps de temps minimum. Lorsque les capacités sont entièrement restaurées, le courant de charge commence à diminuer. Lorsque le courant diminue et se trouve en dessous du seuil pré-réglé (de 1,5 à 2A pour SEC-1215UL UL / 2415 et 2,5 à 3A pour SEC-1230UL), le chargeur passe automatiquement à un niveau de charge de « flottement ou d'entretien ».

4.1.3 Niveau 3 – Tension constante, Charge de flottement ou d'entretien

Comme expliqué à la Section 4.1.2, lorsque le courant de charge chute en dessous du seuil présélectionné (1,5 à 2 ampères pour SEC-1215UL/SEC-2415UL et 2,5 A à 3A pour SEC-1230UL), cela indique que la batterie est chargée à 100%.

Au cours de cette charge de « flottement ou d'entretien », le chargeur délivre une tension constante de 13,5V pour un système 12 V et une tension de 27 V pour un système 24V. Cela aide à conserver 100% des capacités de la batterie et compense également l'auto-déchargement. La batterie peut demeurer connectée à ce niveau indéfiniment sans risquer la surcharge ou la perte excessive d'électrolytes. Dans l'étape de flottement, la batterie va consommer environ 0,1 % de sa capacité Ah pour compenser l'autodécharge.



ATTENTION!

La charge niveau 3 est recommandée pour les piles ou piles ou batteries déchargées (il n'y a pas de charge connectée à la batterie lorsqu'elle est en cours de chargement).

Si une charge est également connectée simultanément, une partie du courant de sortie du chargeur sera détournée vers cette charge. Cependant, le chargeur peut rester bloqué en mode « d'amplification ou d'absorption », si le courant injecté par la charge est supérieure à la valeur présélectionnée du seuil de courant déterminant le changement entre les niveaux d'amplification et de flottement (de 1,5 à 2A pour SEC-1215UL UL / 2415 et 2,5 à 3A pour SEC-1230UL). **Cela entraînera à une surcharge et à une perte d'électrolytes.**

SECTION 4 | Niveaux de charge et protections

Pour charger une batterie lorsque la charge est connectée simultanément, il est requis de désactiver le niveau de « flottement et d'absorption ». Sélectionner « Batterie avec charge » à l'aide de l'interrupteur DIP. Consultez les détails à la section 5.4.1 « Activer d'autres charges CC ».

4.2 PROTECTIONS

4.2.1 Protection contre les courts-circuits

En cas de court-circuit du courant de sortie, le chargeur s'éteindra. La DEL rouge s'éteindra. Le chargeur redémarrera automatiquement une fois le court-circuit réparé.

4.2.2 Limitation de courant de surcharge

Le courant consommé par la batterie / charge est automatiquement limitée à un maximum de 15 pour un SEC-1215UL / SEC-2415UL et 30A pour SEC-1230UL. Si la batterie / charge tente d'attirer un courant plus élevé que ces limites, la tension de sortie de l'appareil commencera à baisser. **Si une batterie est connectée, la tension de sortie sera fixée à la capacité réelle de la batterie tension proportionnelle à son état de charge.**

4.2.3 Extinction de la connexion inversée de la batterie

La sortie est fusible interne sur le côté DC (20A pour SEC-1215UL / SEC-2415UL et 40A pour SEC-1230UL). Dans l'affaire, la polarité de la batterie connexion est inversée, le(s) fusible(s) fera fondre . La LED rouge (2 Figures 2.1 à 2.3) s'éteint. Le(s) fusible(s) devront être remplacés pour l'unité de fonctionner de nouveau.

4.2.4 Arrêt de surcharge thermique

SEC-1215 est refroidi par convection et n'a pas de surcharge thermique à l'arrêt.

SEC-1230UL et SEC-2415UL sont refroidis par convection et possèdent également un ventilateur (9 Figures 2.2 et 2.3) régulant et contrôlant la température de charge. Deux capteurs thermiques montés sur le transformateur électrique contrôlent le déclenchement du ventilateur et le protecteur thermique de surcharge. Le ventilateur sera allumé par le capteur de température d'abord lorsque le transformateur de puissance atteint 60°C / 140°F. **Cependant, lors de charges minimales, le ventilateur peut ne pas se déclencher et être éteint. Ceci est normal.**

Dans le cas où le ventilateur ne fonctionne pas ou inadéquat, le second capteur thermique entrainera l'arrêt de l'unité dès que la température du transformateur atteint les 105°C / 221°F. La DEL rouge se mettra en position OFF. L'unité se remettra en marche une fois l'état de surchauffe terminé.



ATTENTION!

Conservez le chargeur dans un lieu frais et ventilé. Ne pas obstruer les trous d'aération sur les cotés ni les ouvertures du ventilateur.

SECTION 5 | Installation et utilisation du chargeur

5.1 INSTALLATION

5.1.1 Emplacement, montage et sécurité

Le chargeur doit être installé dans un lieu sur, sec et correctement ventilé. Veuillez vous reporter aux détails de la Section 1 - Consignes de sécurité.

Monter le chargeur à l'aide de 4 vis.

5.1.2 Connecteurs de sortie

Reportez-vous à la sortie les bornes 5, 6, 7 et 8 à la fig 2.1 / 2.2 / 2.3. Chaque terminal est constitué de trou tubulaire avec vis de réglage. Insérez l'extrémité du fil dans le trou tubulaire et serrez la vis de réglage. Les diamètres des trous tubulaires sont les suivants :

SEC-1215UL	4 mm / 0.16 pouces
SEC-2415UL / SEC-1230UL	4.8 mm / 0.19 pouces

5.1.3 Les câbles de connexion de sortie

Pour éviter toutes erreurs de polarité et des dommages éventuels, ne jamais utiliser de câbles de même couleur. Utilisez des câbles de couleur rouge pour les connexions à la borne positive et des câbles de couleur noire pour les connexions à la borne négative.

Les diamètres de câbles de CC recommandés sont décrits ci-dessous. La longueur en mètre correspond à la longueur des câbles positifs et négatifs depuis le chargeur jusqu'à la batterie/ autres charges de CC. Les tailles recommandées vont limiter la chute de tension de 2 % :

Longueur de la paire de câbles positifs et négatifs	SEC-1215UL SEC-2415UL	SEC-1230UL
0 à 6 pieds	AWG #10	AWG #8
6 à 10 pieds	AWG #8	AWG #6
10 à 20 pieds	AWG #6	AWG #4

5.1.4 Type de pin cosses pour extrémités de câble

Si les fils multibrins est directement insérée dans le trou tubulaire de la borne de sortie et la vis est serrée, les brins se répandront et la vis peut pincer seulement quelques brins. Cela se traduira par de mauvaise connexion, étincelles, de surchauffe et de chute de tension. Pour la connexion de l'entreprise, à sertir / soudez les broches Type de terminal été fournie pour la taille de câble jusqu'à 6 ft :

- Pour SEC-1215UL / 2415UL: 4 morceaux de PTNB5-13 (AWG #10)
- Pour SEC-1230UL: 4 morceaux de PTNB10-12 (AWG #8)

SECTION 5 | Installation et utilisation du chargeur

5.2 UTILISATION DU CHARGEUR

5.2.1 Préparation du chargeur pour utilisation : Sélection de la tension d'entrée de CA

Le chargeur est présélectionné afin d'être utilisé depuis une tension d'entrée de CA de 120 VAC, 50 / 60 Hz. Afin d'utiliser le chargeur depuis une tension d'entrée de CA de 230 VAC, 50 / 60 Hz, veuillez procéder aux réglages internes suivants :

1. Retirez les 4 visses du couvercle de l'ampèremètre
2. **Faites glisser délicatement le couvercle de 5 à 8 cm. (ATTENTION ! Le couvercle sera retenu par les câbles connectant l'ampèremètre, la DEL et le ventilateur)**
3. Localisez le câble du disjoncteur par une courte « Déconnexion du Câble Femelle ». Le câble femelle est connecté au câble mâle marqué « 115V » dans les réglages de présélection. Tirez sur le câble femelle afin de le déconnecter de la position « 115 V ». Connectez-le au câble male vertical marqué « 230 V ».
4. Remplacez le fusible avec le fusible recommandé pour l'utilisation de 230 VAC (Voir le calibre des fusibles à la section 7)
5. Remplacez le cordon d'alimentation de CA avec une prise CA de mise à terre à 3 broches et branchez-la à une sortie de 230 VAC. **ATTENTION : la nouvelle prise doit avoir trois pôles, c.a.d, Ligne (L), Neutre (N) et Mise à terre. Le code couleur pour le cordon d'alimentation est :**
 - Ligne (L) – Noir
 - Neutre (N) – Blanc
 - Mise à terre – Verte

5.2.2 Préparation du chargeur pour utilisation : sélection du type de batterie et des niveaux de charge

La tension de flottement et la tension d'amplification (également appelée tension d'absorption ou de surcharge) des différents types de batteries plomb-acide sont différentes. Aussi, lorsqu'un chargeur est utilisé pour charger une batterie et pour fournir une charge simultanément, le niveau d'amplification doit être désactivé pour empêcher la surcharge de la batterie (voir les détails sous ATTENTION ! À la Section 4.1.3). Un interrupteur DIP (4 Figures 2.1 à 2.3) se trouve sur le dessus des bornes de sortie, cet interrupteur permet de sélectionner le type de batterie et de désactiver le niveau d'amplification lorsque vous chargez des batteries pleines. Les sélections suivantes peuvent être réalisées avec l'aide de l'interrupteur DIP.



ATTENTION!

Ne modifiez pas les réglages de l'interrupteur DIP lorsque le chargeur est en marche. Modifiez toujours les réglages de l'interrupteur DIP lorsque le chargeur est éteint, c.a.d après avoir déconnecté le chargeur de l'alimentation d'entrée de CA.

NOTE : la température des tensions est de 27°C.

SECTION 5 | Installation et utilisation du chargeur



ATTENTION!

Veillez vous assurer que la position No.4 de l'interrupteur DIP (S 1-ON et S2-ON) ne soit jamais sélectionné.

TABLEAU 5.1 REGLAGES DE L'INTERRUPTEUR DIP : SEC-1215UL/SEC-1230UL					
S1	S2	Flottement	Amplification	Type de batterie	Niveaux de charge
OFF *	ON *	13.5 V *	14.4 V *	Inondée/AGM*	3 niveaux (Niveaux 1, 2, 3)
ON	OFF	13.5 V	14.0 V	Cellule Gelée	3 niveaux (Niveaux 1, 2, 3)
OFF	OFF	13.5 V	Désactivée	Batterie avec charge	2 niveaux (Niveaux 1, 3)
ON	ON	Attention ! NE PAS utiliser ces réglages			

* Réglages présélectionnés en usine.

Tableau 5.2 REGLAGES DE L'INTERRUPTEUR DIP : SEC-2415UL					
S1	S2	Flottement	Amplification	Type de batterie	Niveaux de charge
OFF *	ON *	27 V *	28.8 V *	Inondée/AGM*	3 niveaux (Niveaux 1, 2, 3)
ON	OFF	27 V	28.0 V	Cellule Gelée	3 niveaux (Niveaux 1, 2, 3)
OFF	OFF	27 V	Désactivée	Batterie avec charge	2 niveaux (Niveaux 1, 3)
ON	ON	Attention ! NE PAS utiliser ces réglages			

* Réglages présélectionnés en usine.

5.2.3 Connexion des batteries ou d'autres charges de CC

Le courant de sortie possède une borne commune négative (-) (5 Figures 2.1 à 2.3) et 3 bornes positives (6, 7 et 8 par les figures 2.1 à 2.3) afin de charger indépendamment jusqu'à 3 banques de batteries. Chaque connecteur positif possède sa propre diode isolante interne servant d'isolant pour la batterie. Si plus d'une banque de batteries est connectée, celles-ci seront chargées au même moment tant que le courant CA est disponible au sein du chargeur (le courant de charge maximum de 15 A pour SEC-1215UL / SEC-2415UL et de 30 A pour SEC-1230 UL est partagé entre les banques de batteries connectées dépendant des niveaux de déchargement). Dans le cas où le courant CA n'est pas suffisant ou si le chargeur est dépourvu de courant, les diodes isolantes empêcheront la charge/décharge des batteries connectées aux banques.

SECTION 5 | Installation & Charger Operation

La diode sert d'isolant de batterie et peut diviser le courant de charge en 3 branches isolées maximum et permet le passage du courant dans chacune des branches dans un sens unique. Si plus d'un système de batterie est utilisé indépendamment, les batteries du système se déchargeront à des degrés différents. Si les batteries du système sont connectées en parallèle à un chargeur unique, une batterie faible ou morte pompera la charge depuis une batterie pleine. De telles situations ont lieu dans les camping-cars, bateaux et autres véhicules où 2 systèmes de batteries séparées sont utilisés – la batterie de démarrage pour démarrer et arrêter le moteur et le système de batterie auxiliaire pour faire fonctionner les appareils auxiliaires, tels que les inverseurs, les réfrigérateurs, les stéréos de voitures, etc. Ici, la batterie de démarrage doit être connectée à une banque et à la batterie auxiliaire de la seconde banque. La figure 5.1 montre cette connexion en détails.

Dans une seule banque de batterie, deux ou plusieurs piles peuvent être connectés en parallèle pour augmenter leur intensité par heure (Ah) capacité. Ces batteries seront déchargées et chargées comme une banque de batterie unique. Dans ce cas, la banque en parallèle de batteries multiples doit être considérée comme une banque unique et doit être connectée à une des 3 banques du chargeur comme le présente la figure 5.2 pour une banque de 4 batteries. Pour un chargement correct de toutes les batteries, veuillez-vous assurer que le câble positif « A » du chargeur est connecté à la borne positive de la première batterie (Batterie 1) et que le câble négatif « B » est connecté à la borne négative de la dernière batterie (batterie 4). Cela permettra :

- Résistance des câbles d'interconnexion sera équilibré et les batteries individuelles voient la même résistance série
- Toutes les batteries individuelles seront facturés à la même intensité de charge et donc, seront facturés pour le même état de charge
- Aucune des batteries ne se voit surcharge un

Lorsque vous connectez une batterie unique ou autre charge unique de CC, cela peut être connecté à la borne commune négative et à une des 3 bornes positives, comme le montre la figure 5.2.

5.3 UTILISATION

Lorsque le chargeur est allumé, la DEL rouge marqué "Power" (2 sur les figures 2.1 à 2.3) s'allume et indique qu'une tension de sortie est disponible. Lorsque les batteries sont en train de charger ou lorsque le chargeur fournit d'autres charges de CC, le courant généré par le chargeur sera indiqué par l'ampèremètre (1, figures 2.1 à 2.3).

Lorsque les batteries sont déchargées, ils vont attirer l'intensité de charge proportionnel à leur déchargée (jusqu'à l'intensité nominale maximale du chargeur) et ce courant sera illustré par l'ampèremètre. Lorsque les batteries sont complètement chargées, elles généreront un très faible courant (qui peut ne pas être enregistré par l'ampèremètre) afin de compenser leur auto déchargement.

SECTION 5 | Installation & Charger Operation

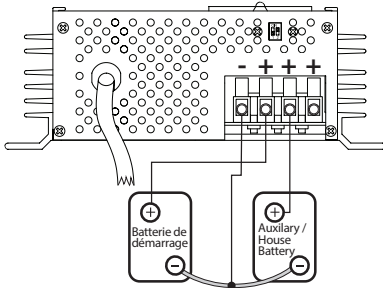


Fig. 5.1 Connexion de deux systèmes de batterie distincts à deux bancs de batterie indépendants.

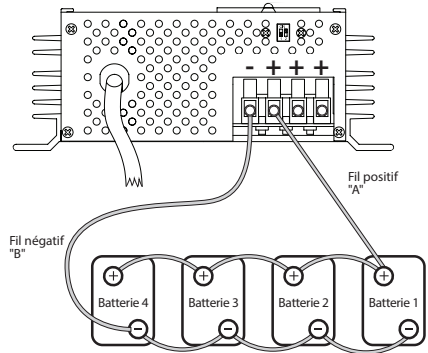


Fig. 5.2 Connexion d'un banc de batteries en parallèle à un seul banc.

5.3.1 Charger une batterie installée dans un véhicule

Suivez ces étapes lorsque la batterie est installée au sein d'un véhicule. Une étincelle autour de la batterie peut provoquer l'explosion de celle-ci. Pour des raisons de sécurité et pour réduire le risque d'étincelles aux alentours de la batterie :

- Positionnez les câbles CA et CC afin de réduire les risques de dommages causés par le capot, la portière, ou autres pièces du moteur.
- Eloignez-vous des pales du ventilateur, des courroies, des poulies et autres pièces pouvant provoquer des blessures.
- Vérifiez la polarité des bornes de la batterie. La borne A positive (Pos, P, +) est généralement plus large que la borne négative (Neg, N, -).
- Déterminez quelle borne de la batterie est mise à terre (connectée au châssis du moteur). Si la borne négative est mise à terre au moteur (comme dans la plupart des véhicules), veuillez lire le paragraphe (e) ci-dessous. Si la borne positive est mise à terre, veuillez lire le paragraphe (f) ci-dessous.
- Pour un véhicule de mise à la terre négative, connectez le câble de CC positif (Rouge) du chargeur à la borne positive de la batterie. Connectez le câble de CC négatif (Noir) du chargeur à une pièce métallique très résistante située sur le cadre du moteur et qui se tient éloignée de la batterie. Ne pas connecter au carburateur, ni aux tuyaux de carburant ou aux pièces métalliques de la carrosserie.
- Pour un véhicule de mise à la terre négative, connectez le câble de CC négatif (noir) du chargeur à la borne positive de la batterie. Connectez le câble de CC positif (rouge) du chargeur à une pièce métallique très résistante située sur le cadre du moteur et qui se tient éloignée de la batterie. Ne pas connecter au carburateur, ni aux tuyaux de carburant ou aux pièces métalliques de la carrosserie.
- Connectez le cordon d'alimentation CA du chargeur à une prise secteur CA.

SECTION 5 | Installation & Charger Operation

h) Lorsque vous déconnectez le chargeur, éteignez tous les interrupteurs, débranchez le cordon d'alimentation de CA et débranchez toutes connexions du châssis du véhicule, puis débranchez toutes connexions aux bornes de la batterie.

5.3.2 Charger une batterie hors d'un véhicule

Suivez ces étapes lorsque la batterie est hors du véhicule. Une étincelle à proximité de la batterie peut entraîner l'explosion de celle-ci. Pour des raisons de sécurité et pour réduire les risques d'étincelles à proximité de la batterie, connectez le chargeur comme suit :

- a) Vérifiez la polarité des bornes de la batterie. La borne A positive (Pos, P, +) est généralement plus large que la borne négative (Neg, N, -).
- b) Attachez une pièce d'au moins 7,5 cm de câble isolé de batterie d'AWG#6 à la borne négative de la batterie.
- c) Connectez le câble positif de CC (Rouge) du chargeur à la borne positive de la batterie
- d) Positionnez-vous ainsi que la partie dénudée du câble attache à la borne négative aussi loin que possible de la batterie et connectez ensuite le câble de CC négatif (Noir) du chargeur à la partie dénudée du câble attache la borne négative de la batterie.
- e) Ne jamais se mettre face à la batterie lorsque vous procédez à la connexion finale.
- f) Connectez le cordon d'alimentation CA du chargeur à une prise secteur CA
- g) Lorsque vous déconnectez le chargeur, veuillez toujours procéder dans l'ordre inverse de cette procédure et débranchez la première connexion en premier tout en restant aussi loin que possible de la batterie

5.4 CHARGER PLUS D'UNE BANQUE DE BATTERIES



ATTENTION!

Lorsque vous chargez plus d'une banque de batteries en même temps en utilisant le niveau de charge 3, assurez-vous que les batteries dans les s banques sont toutes déchargées au même niveau. Si une banque est complètement déchargée et une autre presque entièrement chargée, la banque qui est complètement chargée sera sujette à une surcharge tant que le chargeur est en phase d'amplification pour charger la banque complètement déchargée. Si les batteries sont à des différents niveaux de déchargement, sélectionnez l'option « Batterie avec charge » à l'aide de l'interrupteur DIP (Voir les tableaux 5.1 et 5.2).

5.4.1 Charger d'autres charges de CC

Le chargeur peut être utilisé comme source de courant ou comme ASI CC. Pour ces deux utilisations, veuillez tout d'abord sélectionner l'option « Batterie avec charge » à l'aide de l'interrupteur DIP. (cf. « Sélection du type de batterie et des niveaux de charge » à la section 5.2.2).

Pour l'utiliser comme source de courant, veuillez d'abord éteindre la charge de CC. Connecter la charge de CC entre le terminal négatif et l'une des trois bornes positives. **Assurez-vous que la consommation maximum de courant par la charge CC est inférieure au niveau actuel du chargeur. Allumez le chargeur et ensuite la charge de CC.**

SECTION 5 | Installation & Charger Operation

Pour un ASI CC (source non-interruptible de courant), le chargeur charge simultanément la charge de CC ainsi que la batterie. Tant que le courant CA est disponible pour le chargeur et que le chargeur fonctionne normalement, il chargera la charge de CC et chargera/flottera la batterie. Au cas où le courant CA est indisponible ou si le chargeur s'arrête de fonctionner, la batterie chargera automatiquement la charge de CC. Dès que le chargeur restaure le courant CA, la charge de CC sera de nouveau chargée par le chargeur ainsi que la batterie.



ATTENTION!

Veillez vérifier que la somme du courant généré par la charge de CC et du courant désiré pour charger la batterie est inférieure à la capacité maximale actuelle du chargeur.

Pour l'utiliser comme ASI CC, veuillez tout d'abord éteindre la charge de CC et la connecter à la batterie. Connectez maintenant la batterie comme indiqué dans la section "Chargement de la batterie hors du véhicule" (Section 5.3.2). Branchez le chargeur et ensuite branchez la charge de CC.

SECTION 6 | Résolution des problèmes

6.1 SYMPTOMES : CHARGEUR BRANCHÉ ET CONNECTÉ À LA BATTERIE

6.1.1 La LED rouge (2 sur les figures 2.1 à 2.3) est éteinte

Le fusible du CC peut avoir explosé en raison d'une mauvaise polarité de la connexion de la batterie. Assurez-vous que la borne positive de la batterie est connectée à la borne positive du chargeur et que la borne négative de la batterie est connectée à la borne négative du chargeur. Vérifiez les fusibles à l'intérieur du chargeur et remplacez-les, si besoin.

La batterie peut être court-circuitée. Dans ce cas, l'unité s'éteint grâce à la protection anti-circuit. Débranchez la connexion de la batterie. Si la DEL rouge s'allume désormais, la batterie est court-circuitée. Si la DEL rouge n'apparaît toujours pas, vérifiez le fusible de CA à l'intérieur de l'unité. Si le fusible est intact, appelez le Centre Technique.

6.1.2 La DEL rouge (2 sur les figures 2.1 à 2.3) est allumée mais l'ampèremètre n'affiche aucune mesure

La batterie est entièrement chargée. Si la batterie n'est pas complètement chargée, la connexion à la batterie peut avoir été perdue ou être ouverte. Vérifiez l'étanchéité et la continuité de la connexion.

6.1.3 La batterie est en surcharge ou en ébullition

Le chargeur charge également d'autres charges de CC en parallèle à la batterie. Changez le réglage du commutateur DIP sur "Batterie avec charge" (voir la section 5.2.2 et Paramètres du commutateur DIP aux Tableaux 5.1 et 5.2).

SECTION 6 | Résolution des problèmes

6.2 SYMPTOMES: CHARGEUR BRANCHE ET DECONNECTE DE LA BATTERIE

6.2.1 La LED rouge (2 sur les figures 2.1 à 2.3) est éteinte

Vérifiez qu'il y ait du courant CA dans la prise. Si tel est le cas, vérifiez le fusible de CA à l'intérieur de l'unité. Si le fusible est intact, il se peut que l'unité ait été court-circuitée. Dans ce cas, le chargeur s'éteint grâce à la protection anti court-circuit. Vérifiez que les bornes de sortie ne sont pas court-circuitées. Si les bornes ne le sont pas, appelez le Centre Technique.

6.2.2 Le fusible latéral CA interne saute dès la mise sous tension

La tension d'entrée de CA est réglée sur du 120 VAC mais l'unité est branchée sur du 230 VAC. Vérifiez toujours que le chargeur est réglé sur la tension de CA adéquate (Voir la section 5.2.1). Si la tension d'entrée de CA est correcte, le chargeur est alors défectueux. Appelez la Centre Technique.

6.2.3 Le fusible de CC explosée des que la batterie est en marche

Une mauvaise polarité de la connexion de la batterie. Assurez-vous que la borne positive de la batterie est connecte à la borne positive du chargeur et que la borne négative de la batterie est connecte à la borne négative du chargeur.

6.3 SYMPTOMES LORSQUE LE CHARGEUR EST BRANCHE ET EST UTILISE COMME SOURCE DE COURANT CC / ASI

6.3.1 La tension chute lorsque la charge est en marche

La charge tente de générer plus de courant que la valeur limite du courant du chargeur (la valeur limite du courant est le valeur maximale d'Ampères en charge - voir Spécifications à la section 7). Une fois que le courant de charge atteint la valeur limite du courant, le circuit de courant limite est active et la tension de sortie chute. Certaines charges comme les motos, compresseurs, lampes halogènes, appareils de chauffage, coils, condensateurs, etc. génèrent des courants d'appel/transitoires très importants qui peuvent atteindre jusqu'à 10 fois leur tension normale. Assurez-vous que le courant d'appel/transitoire ou que le courant maximum de la charge est inférieur à la valeur limite de courant du chargeur.



INFORMATION

Tant le côté AC et DC parties ont des fusibles qui se trouvent à l'intérieur du chargeur. Débranchez l'alimentation lors de la vérification ou modification les fusibles. Ouvrez le chargeur comme suit :

1. Retirer les 4 vis sur l'ampèremètre latérales
2. **Faites glisser doucement le capot supérieur par environ 2 à 3 pouces. (Attention ! Le capot supérieur ne les empêcherait de glisser entièrement par les fils reliant l'ampèremètre, LED et le ventilateur)**
3. Les fusibles sont désormais disponibles. Voir les spécifications de la section 7 pour des fusibles.

SECTION 7 | Spécifications

MODEL NO.	SEC-1215UL
ENTRÉE	
TENSION D'ENTRÉE NOMINALE ET LA FRÉQUENCE	120 VCA, 50/60 Hz (par défaut) 230 VAC, 50 / 60Hz (Réglage du cavalier interne)
CONNEXION D'ENTRÉE AC	Cordon d'alimentation fixe : <ul style="list-style-type: none"> • Longueur 6 pieds • 3 x câble 18AWG size • NEMA5-15P Plug
SORTIE	
COURANT DE CHARGE	15A
ÉTAPES DE CHARGE	3 étapes (réglage du commutateur DIP - par défaut): <ul style="list-style-type: none"> • Vrac, absorption et flotteur 2 étapes (paramètre du commutateur DIP) : <ul style="list-style-type: none"> • Flotteur et en vrac
TENSIONS DE CHARGE	<ul style="list-style-type: none"> • 14,4 V CC (par défaut) • 14,0 VDC (réglage du commutateur DIP) • Réglage de l'interrupteur DIP (désactiver) Absorption : Float: 13.5 VDC
NO. DE BANQUES DE CHARGE	3
CONNEXIONS DE SORTIE	Trou tubulaire avec vis Diamètre du trou : 4 mm / 0,16 in
SURVEILLANCE	
AFFICHAGE LED	LED rouge : Sortie est disponible
ANALOGUE METER	Ampèremètre : 0 à 15A
REFROIDISSEMENT	
TYPE DE REFROIDISSEMENT	Convection refroidie (sans ventilateur)
PROTECTIONS	
COURT CIRCUIT DE SORTIE	Pas de tension de sortie. Réinitialisation automatique lors de l'enlèvement du court-circuit
SURCHARGE D'ENTRÉE	4A côté d'entrée du fusible (Entrée 120 VCA)
SURCHARGE DE SORTIE	La limite de courant électronique à 15A
POLARITÉ INVERSE SUR LE CÔTÉ DE SORTIE	20A côté de sortie du fusible
FUSIBLES	
FUSIBLE INTERNE CÔTÉ ENTRÉE CA (FONCTIONNEMENT EN 120 VCA)	4A, 250V; Taille 5mm x 20mm; Type de retard Fab. : Littelfuse 0218004 ou équivalent
FUSIBLE INTERNE CÔTÉ ENTRÉE CA (FONCTIONNEMENT EN 230 VCA)	2A, 250V; Taille 5mm x 20 mm; Type de retard Fab. : Littelfuse 0218002 ou équivalent
FUSIBLE LATERAL DE SORTIE CC INTERNE	32V, 20A; Type de lame automobile; Action rapide Fab. : Fusible Littell 0287020 ou équivalent
ENVIRONNEMENT	
TEMPÉRATURE DE FONCTIONNEMENT	-20 ° C à + 40 ° C / -4 ° F à + 104 ° F
TEMPÉRATURE DE STOCKAGE	-30 ° C à + 70 ° C / -22 ° F à + 158 ° F
HUMIDITÉ RELATIVE	Jusqu'à 90 %, sans condensation
CONDITIONS DE FONCTIONNEMENT	Intérieur, ventilé, frais et sans poussière
CONFORMITÉ	
SÉCURITÉ	Intertek-ETL énumérés comme suit: <ul style="list-style-type: none"> • Conforme à la norme ANSI / UL 1564 • Certifié CAN / CSA STD. C22.2 n ° 107.2
EMI	FCC Partie 15 (B), Classe B
DIMENSIONS	
L x W x H	218 x 214 x 83 mm / 8,6 x 8,4 x 3,3 po
POIDS	2,2 kg / 4,8 lb

NOTES : 1. Tensions CC sont basées sur la température de la batterie de 86° F / 26.7°C
2. Les spécifications sont sujettes à changement sans préavis

SECTION 7 | Spécifications

MODEL NO.	SEC-1230UL
ENTRÉE	
TENSION D'ENTRÉE NOMINALE ET LA FRÉQUENCE	120 VCA, 50 / 60 Hz (par défaut) 230 VAC, 50 / 60Hz (Réglage du cavalier interne)
CONNEXION D'ENTRÉE AC	Cordon d'alimentation fixe : <ul style="list-style-type: none"> • Longueur 6 pieds • 3 x câble 18AWG size • NEMA5-15P Plug
SORTIE	
COURANT DE CHARGE	30A
ÉTAPES DE CHARGE	3 étapes (réglage du commutateur DIP - par défaut): <ul style="list-style-type: none"> • Vrac, absorption et flotteur 2 étapes (paramètre du commutateur DIP) : <ul style="list-style-type: none"> • Flotteur et en vrac
TENSIONS DE CHARGE	Absorption : <ul style="list-style-type: none"> • 14,4 V CC (par défaut) • 14,0 VDC (réglage du commutateur DIP) • Réglage de l'interrupteur DIP (désactiver) Float: 13.5 VDC
NO. DE BANQUES DE CHARGE	3
CONNEXIONS DE SORTIE	Trou tubulaire avec vis Diamètre du trou : 4,8 mm / 0,19 in
SURVEILLANCE	
AFFICHAGE LED	LED rouge : Sortie est disponible
ANALOGUE METER	Ampèremètre : 0 à 30A
REFROIDISSEMENT	
TYPE DE REFROIDISSEMENT	Ventilateur à température contrôlée: <ul style="list-style-type: none"> • Allumé lorsque la température du transformateur augmente à 60 ° C / 140 ° F • Éteint lorsque refroidit jusqu'à 50 ° C / 122 ° F
PROTECTIONS	
COURT CIRCUIT DE SORTIE	Pas de tension de sortie. Réinitialisation automatique lors de l'enlèvement du court-circuit
SURCHARGE D'ENTRÉE	8A côté d'entrée du fusible (Entrée 120 VCA)
SURCHARGE DE SORTIE	La limite de courant électronique à 30A
POLARITÉ INVERSE SUR LE CÔTÉ DE SORTIE	2 x 20A côté de sortie du fusible
SURCHAUFFE	La température du transformateur de puissance monte à 105 ° C / 221 ° F
FUSIBLES	
FUSIBLE INTERNE CÔTÉ ENTRÉE CA (FONCTIONNEMENT EN 120 VCA)	8A, 250V; Taille 5mm x 20mm; Type de retard Fab. : Littelfuse 0218008 ou équivalent
FUSIBLE INTERNE CÔTÉ ENTRÉE CA (FONCTIONNEMENT EN 230 VCA)	4A, 250V; Taille 5mm x 20mm; Type de retard Fab. : Littelfuse 0218004 ou équivalent
FUSIBLE LATERAL DE SORTIE CC INTERNE	2 x (32V, 20A); Type de lame automobile; Action rapide Fab. : Littelfuse : 0287020 ou équivalent
ENVIRONNEMENT	
TEMPÉRATURE DE FONCTIONNEMENT	-20 ° C à + 40 ° C / -4 ° F à + 104 ° F
TEMPÉRATURE DE STOCKAGE	-30 ° C à + 70 ° C / -22 ° F à + 158 ° F
HUMIDITÉ RELATIVE	Jusqu'à 90 %, sans condensation
CONDITIONS DE FONCTIONNEMENT	Intérieur, ventilé, frais et sans poussière
CONFORMITÉ	
SÉCURITÉ	Intertek-ETL énumérés comme suit: <ul style="list-style-type: none"> • Conforme à la norme ANSI / UL 1564 • Certifié CAN / CSA STD. C22.2 n ° 107.2
EMI	FCC Partie 15 (B), Classe B
DIMENSIONS	
L x W x H	280 x 214 x 83 mm / 11,0 x 8,4 x 3,3 po
POIDS	2,9 kg / 6,4 lb

NOTES: 1. Tensions CC sont basées sur la température de la batterie de 86° F / 26.7°C
2. Les spécifications sont sujettes à changement sans préavis

SECTION 7 | Spécifications

MODEL NO.	SEC-2415UL
ENTRÉE	
TENSION D'ENTRÉE NOMINALE ET LA FRÉQUENCE	120 VCA, 50 / 60 Hz (par défaut) 230 VAC, 50 / 60Hz (Réglage du cavalier interne)
CONNEXION D'ENTRÉE AC	Cordon d'alimentation fixe : <ul style="list-style-type: none"> • Longueur 6 pieds • 3 x câble 18AWG size • NEMA5-15P Plug
SORTIE	
COURANT DE CHARGE	15A
ÉTAPES DE CHARGE	3 étapes (réglage du commutateur DIP - par défaut): <ul style="list-style-type: none"> • Vrac, absorption et flotteur 2 étapes (paramètre du commutateur DIP) : <ul style="list-style-type: none"> • Flotteur et en vrac
TENSIONS DE CHARGE	Absorption : <ul style="list-style-type: none"> • 28,4 V CC (par défaut) • 28,0 VDC (réglage du commutateur DIP) • Réglage de l'interrupteur DIP (désactiver) Float: 27,0 VDC
NO. DE BANQUES DE CHARGE	3
CONNEXIONS DE SORTIE	Trou tubulaire avec vis Diamètre du trou : 4,8 mm / 0,19 in
SURVEILLANCE	
AFFICHAGE LED	LED rouge : Sortie est disponible
ANALOGUE METER	Ampèremètre : 0 à 15A
REFROIDISSEMENT	
TYPE DE REFROIDISSEMENT	Ventilateur à température contrôlée: <ul style="list-style-type: none"> • Allumé lorsque la température du transformateur augmente à 60 ° C / 140 ° F • Éteint lorsque refroidit jusqu'à 50 ° C / 122 ° F
PROTECTIONS	
COURT CIRCUIT DE SORTIE	Pas de tension de sortie. Réinitialisation automatique lors de l'enlèvement du court-circuit
SURCHARGE D'ENTRÉE	8A côté d'entrée du fusible (Entrée 120 VCA)
SURCHARGE DE SORTIE	La limite de courant électronique à 15A
POLARITÉ INVERSE SUR LE CÔTÉ DE SORTIE	2 x 10A côté de sortie du fusible
EN TEMPÉRATURE FERMER	Transformateur de puissance la température monte à 105°C / 221°F
FUSIBLES	
FUSIBLE INTERNE CÔTÉ ENTRÉE CA (FONCTIONNEMENT EN 120 VCA)	8A, 250V; Size 5mm x 20mm; Time Delay Type Mfr.: Littelfuse 0218008 or equivalent
FUSIBLE INTERNE CÔTÉ ENTRÉE CA (FONCTIONNEMENT EN 230 VCA)	4A, 250V; Size 5mm x 20mm; Time Delay Type Mfr.: Littelfuse 0218004 or equivalent
FUSIBLE LATERAL DE SORTIE CC INTERNE	2 x (32V, 10A); Automotive Blade Type; Fast Acting Mfr.: Littelfuse: 0287010 or equivalent
ENVIRONNEMENT	
TEMPÉRATURE DE FONCTIONNEMENT	-20 ° C à +40 ° C / -4 ° F à +104 ° F
TEMPÉRATURE DE STOCKAGE	-30 ° C à +70 ° C / -22 ° F à +158 ° F
HUMIDITÉ RELATIVE	Jusqu'à 90 %, sans condensation
CONDITIONS DE FONCTIONNEMENT	Intérieur, ventilé, frais et sans poussière
CONFORMITÉ	
SÉCURITÉ	Intertek-ETL énumérés comme suit: <ul style="list-style-type: none"> • Conforme à la norme ANSI / UL 1564 • Certifié CAN / CSA STD. C22.2 n ° 107.2
EMI	FCC Partie 15 (B), Classe B
DIMENSIONS	
L x W x H	280 x 214 x 83 mm / 11,0 x 8,4 x 3,3 po
POIDS	2,9 kg / 6,4 lb

- NOTES:** 1. Tensions CC sont basées sur la température de la batterie de 86° F / 26.7°C
2. Les spécifications sont sujettes à changement sans préavis

SECTION 8 | Garantie

2 YEAR LIMITED WARRANTY

SEC-1215UL, SEC-1230UL et SEC-2415UL fabriqués par Samlex America, Inc. (le « Garant ») sont garantis être non défectueux dans la conception et dans les matériaux, moyennant une utilisation et un service normaux. La période de garantie est de 2 ans pour les Etats-Unis et le Canada, et prend effet le jour de l'achat par l'utilisateur (« l'Acheteur »).

La garantie hors des Etats Unis et du Canada est limitée à 6 mois. Pour une réclamation concernant la garantie, l'Acheteur devra contacter le point de vente ou l'achat a été effectué afin d'obtenir un Numéro d'Autorisation pour le Retour.

La pièce ou l'unité défectueuse devra être retournée aux frais de l'acheteur au point de vente agréé. Une déclaration écrite décrivant la nature du défaut, la date et le lieu d'achat ainsi que le nom, l'adresse et le numéro de téléphone de l'Acheteur devront également être renseignés.

Si à l'examen de la demande par le Garant, le défaut est réellement le résultat d'un matériau ou d'un assemblage défectueux, l'équipement sera réparé ou remplacé gratuitement et renvoyé à l'Acheteur aux frais du Garant. (Etats-Unis et Canada uniquement).

Aucun remboursement du prix d'achat ne sera accordé à l'Acheteur, sauf si le Garant est incapable de remédier au défaut après avoir eu plusieurs occasions de le faire. Le service de garantie doit être effectué uniquement par le Garant. Toute tentatives de remédier au défaut par quelqu'un d'autre que le Garant rendent cette garantie nulle et sans effet. Il n'existe aucune garantie concernant les défauts ou dommages causés par une installation défectueuse ou inadaptée, par un abus ou une mauvaise utilisation de l'équipement, y compris, une exposition excessive à la chaleur, au sel, aux éclaboussures d'eau fraîche ou à l'immersion dans l'eau.

Aucune autre garantie express n'est accordée et il n'existe aucune garanties qui s'étendent au delà des conditions décrites par la présente. Cette garantie est la seule garantie valable et reconnue par le Garant, et prédomine sur d'autres garantie implicites, y compris les garanties implicites liées à la garantie de qualité marchande, à l'usage des objectifs habituels pour lesquels de telles marchandises sont utilisées, ou l'usage pour un objectif particulier, ou toutes autres obligations de la part du Garant ou de ses employés et représentants.

Il ne doit pas exister de responsabilité ou autre de la part du Grant ou des ses employés et représentants, en ce qui concerne les blessures corporelles, ou les dommages de personne à personne, ou les dégâts sur une propriété, ou la perte de revenus ou de bénéfices, ou autres dommages collatéraux, pouvant être rapportés comme ayant survenus au cours de l'utilisation ou de la vente du matériel, y compris tous dysfonctionnements ou échecs du matériel, ou une partie de celui-ci. Le Garant n'assume aucune responsabilité concernant toutes sortes de dommages accidentels ou indirects.

Samlex America Inc. (le « Garant »)
www.samlexamerica.com

Information Contact

Numéros Sans Frais

Tél: 1 800 561 5885

Télé: 1 888 814 5210

Numéros locaux

Tél: 604 525 3836

Télé: 604 525 5221

Site internet

www.samlexamerica.com

Entrepôts USA

Kent, WA

Plymouth, MI

Entrepôt Canada

Delta, BC

Adresse email pour

passer commande

orders@samlexamerica.com



samlexamerica®